

JVC

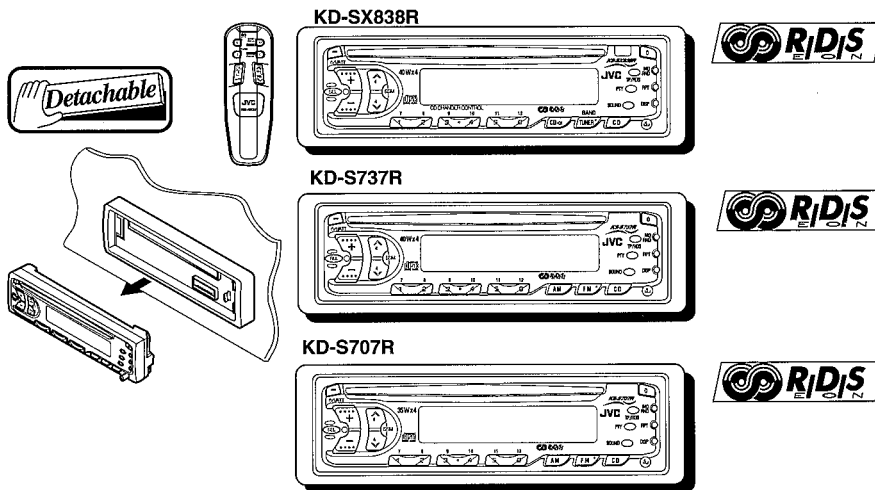
SERVICE MANUAL

CD RECEIVER

KD-SX838R KD-S737R/KD-S707R

Area Suffix

E ---- Continental
Europe




COMPACT
disc
DIGITAL AUDIO

Contents

Safety Precaution	1-2	Block Diagrams	2-18
Instruction Book	1-3	Standard Schematic Diagrams	2-19
Description of Major ICs	2-1	P.C.Board and parts list	2-25
Location of main parts	2-7	Parts List	3-1
Removal of main parts	2-9	Packing and Accessorie List	3-13
Adjustment	2-15		
Flow of Functional			
Operation Unit TOC Read	2-16		
Maintenance of Laser Pickup	2-17		

Safety Precaution

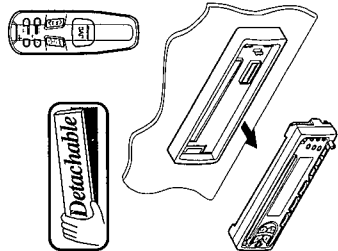
 **CAUTION** Burrs formed during molding may be left over on some parts of the chassis. Therefore, pay attention to such burrs when performing repairs of this system.

 **CAUTION** Please use enough caution to avoid direct exposure to the beam directly or touch it in case of an adjustment or operation check.

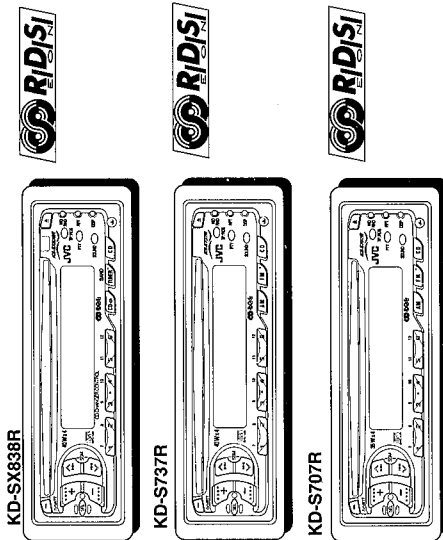
JVC

CD RECEIVER
CD-RECEIVER
RECEPTEUR CD
CD-RECEIVER

KD-SX838R/S737R/S707R



COMPACT
disc
DIGITAL AUDIO



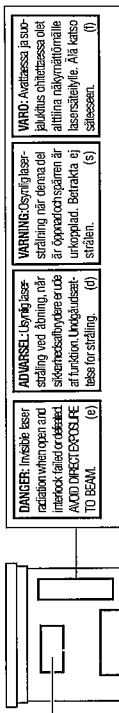
For installation and connections, refer to the separate manual.
Für den Einbau und die Anschlüsse siehe das eigenständige Handbuch.
Pour l'installation et les raccordements, se référer au manuel séparé.
Bijzonderheden over de installatie en aansluiting van het apparaat vindt u in de desbetreffende handleiding.

INSTRUCTIONS
BEDIENUNGSANLEITUNG
MANUEL D'INSTRUCTIONS
GEBRUIKSAANWIJZING

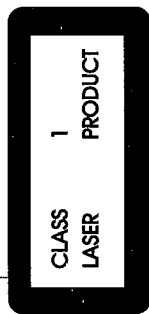
Instructions

Position And Reproduction Of Labels

Bottom panel of the main unit



Name/Rating plate



Caution:
This product contains a laser component of higher laser class than Class 1.

IMPORTANT FOR LASER PRODUCTS

Precautions:

- CLASS 1 LASER PRODUCT**
- DANGER:** Invisible laser radiation when open and interlock failed or defeated. Avoid direct exposure to beam.
- CAUTION:** Do not open the top cover. There are no user-serviceable parts inside. Leave all servicing to qualified service personnel.
- CAUTION:** This CD player uses invisible laser radiation and is equipped with safety switches to prevent radiation emission when unloading CDs. It is dangerous to defeat the safety switches.
- CAUTION:** Use of controls, adjustments or performance of procedures other than those specified herein may result in hazardous radiation exposure.

Note:

For security reasons, a numbered ID card is provided with this unit, and the same ID number is imprinted on the unit's chassis. Keep the card in a safe place, as it will help the authorities to identify your unit if stolen.

BEFORE USE

- * For safety...**
- Do not raise the volume level too much, as this will block outside sounds, making driving dangerous.
- Stop the car before performing any complicated operations.

**Temperature inside the car...*

If you have parked the car for a long time in hot or cold weather, wait until the temperature in the car becomes normal before operating the unit.

ENGLISH

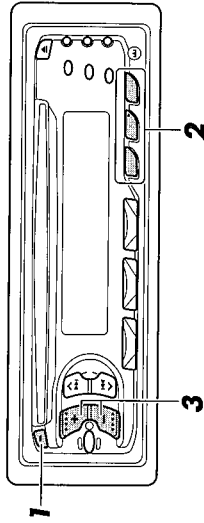
DEUTSCH

FRANÇAIS

NEDERLANDS

VNN3832-311S [E] 2

BASIC OPERATIONS



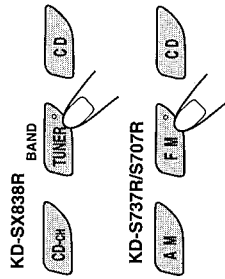
Note:
When you use this unit for the first time, set the built-in clock correctly, see page 23.

1 Turn on the power.



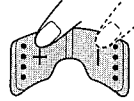
Note on One-Touch Operation:
When you select a source in step 2 below, the power automatically comes on. You do not have to press this button to turn on the power.

2 Select the source.

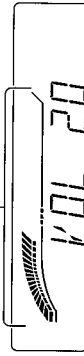


To operate the tuner, see pages 5 – 16.
To operate the CD player, see pages 17 – 19.
ONLY FOR KD-SX838R:
To operate the CD changer, see pages 29 – 31.

3 Adjust the volume.



Volume level indicator (see page 26).



Volume level appears.

4 Adjust the sound as you want (see pages 20 – 22).

To drop the volume in a moment

Press **ATT** briefly while listening to any source. "ATT" starts flashing on the display, and the volume level will drop in a moment.

To resume the previous volume level, press the button briefly again.

To turn off the power

Press **PWR/ATT** for more than 1 second.

Thank you for purchasing a JVC product. Please read all instructions carefully before operation, to ensure your complete understanding and to obtain the best possible performance from the unit.

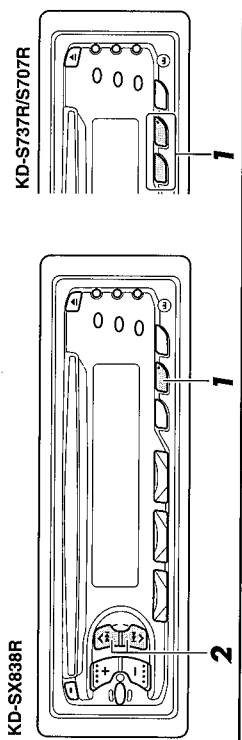
CONTENTS

BASIC OPERATIONS	4
RADIO OPERATIONS	5
Listening to the radio	5
Storing stations in memory	6
FM station automatic preset, SSM	6
Manual preset	7
Tuning into a preset station	8
Using RDS functions in the FM band	9
RDS (Radio Data System)	9
Other convenient tuner functions	16
Selecting FM reception sound	16
CD OPERATIONS	17
Playing a CD	17
Locating a track or a particular portion or a CD	18
Selecting CD playback modes	19
Other convenient CD functions	19
Prohibiting CD ejection	19
SOUND ADJUSTMENTS	20
Selecting preset sound modes	20
Adjusting the sound	21
Storing your own sound adjustments	22
OTHER MAIN FUNCTIONS	23
Setting the clock	23
Storing your own mode settings	25
Preferred setting mode control	25
Turning on/off the key-touch tone (ONLY FOR KD-SX838R)	26
Selecting the level display (ONLY FOR KD-SX838R/S737R)	26
Detaching the control panel	27
REMOTE OPERATIONS	28
(ONLY FOR KD-SX838R)	28
Installing the batteries	28
Using the remote controller	28
CD CHANGER OPERATIONS	29
(ONLY FOR KD-SX838R)	29
Playing CDs	29
Selecting CD playback modes	31
MAINTENANCE	32
Handling CDs	32
TROUBLESHOOTING	33
SPECIFICATIONS	34

ENGLISH

RADIO OPERATIONS

Listening to the radio



1 KD-SX838R
 Select the band (FM1, FM2, FM3 or AM).
 You can select any one of FM1, FM2, and FM3 to listen to an FM station.

Audio level indicator (see page 26).
 (ONLY FOR KD-SX838R/S737R)

→ FM1 → FM2 → FM3 → AM



2
 To search stations of higher frequencies. Press TUNER/BAND repeatedly.
 To search stations of lower frequencies. Press FM or AM.

Start searching a station.
 When a station is received, searching stops.

To stop searching before a station is received, press the same button you have pressed for searching.

To tune in a particular frequency without searching:
1 Select the band (FM or AM). Press TUNER/BAND repeatedly.
For KD-SX838R: Press FM or AM.
For KD-S737R/S707R: Press FM or AM.
2 Press and hold \blacktriangleright or \blacktriangleleft until "M" starts flashing on the display. Now you can manually change the frequency while "M" is flashing.
3 Press \blacktriangleright or \blacktriangleleft repeatedly until the frequency you want is reached.
 • If you hold down the button, the frequency keeps changing (in 50 kHz intervals for FM and 9kHz intervals for AM-MW/LW) until you release the button.

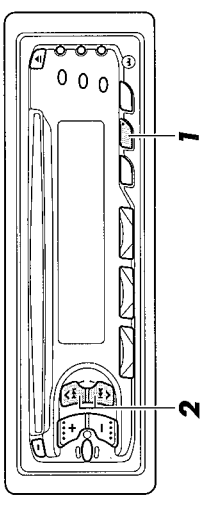
Storing stations in memory

You can use one of the following two methods to store broadcasting stations in memory.

- Automatic preset of FM stations: SSM (Strong-station Sequential Memory)
- Manual preset of both FM and AM stations

FM station automatic preset: SSM

You can preset 6 local FM stations in each FM band (FM1, FM2, and FM3).



1 KD-SX838R
 Select the FM band number (FM1, FM2 or FM3) you want to store FM stations into.

→ FM1 → FM2 → FM3 → AM

KD-S737R/S707R
 → FM1 → FM2 → FM3

2
 Press and hold both buttons for more than 3 seconds.

FM1 -- SSM --

"SSM" appears, then disappears when automatic preset is over.

Local FM stations with the strongest signals are searched and stored automatically in the band number you have selected (FM1, FM2 or FM3). These stations are preset in the number buttons — No. 1 (lowest frequency) to No. 6 (highest frequency).
 When automatic preset is over, the station stored in number button 1 will be automatically tuned in.

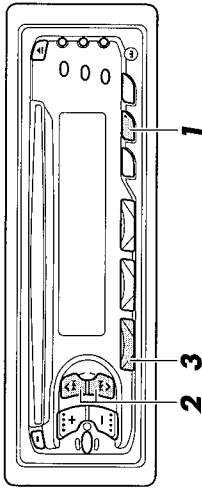
ENGLISH



Manual preset

You can preset up to 6 stations in each band (FM1, FM2, FM3 and AM) manually.

EXAMPLE: Storing an FM station of 88.3 MHz into the preset number 1 of the FM1 band

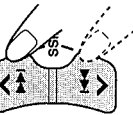


1 KD-SX838R KD-S737R/S707R

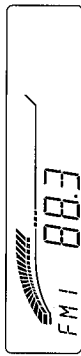
Select the FM1 band.



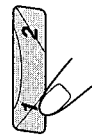
2



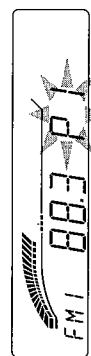
Tune into a station of 88.3 MHz.
 See page 5 to tune into a station.



3



Press and hold the button for more than 1 second.



Preset number "P1" starts flashing for a while.

4 Repeat the above procedure to store other stations into other preset numbers.

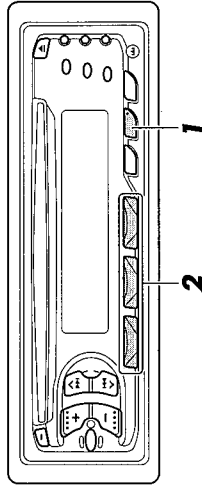
Notes:

- A previously preset station is erased when a new station is stored in the same preset number.
- Preset stations are erased when the power supply to the memory circuit is interrupted (for example, during battery replacement). If this occurs, preset the stations again.

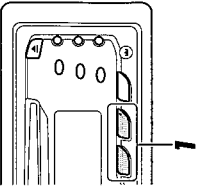
Tuning into a preset station

You can easily tune into a preset station. Remember that you must store stations first. If you have not stored them yet, see pages 6 and 7.

KD-SX838R



KD-S737R/S707R



1 KD-SX838R

BAND

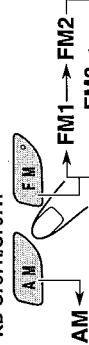
TUNER



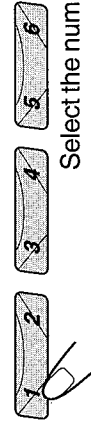
Select the band (FM1, FM2, FM3 or AM) you want.



KD-S737R/S707R



2



Select the number (1 - 6) for the preset station you want.



Using RDS functions in the FM band

RDS (Radio Data System)

RDS button

To select Network-Tracking mode, press the RDS button for more than 1 second.

- **Mode 1 (AF (Alternative Frequencies): on/REG: off):**

Network-Tracking is activated.

Switches between stations belonging to the network being received.

Note:

- *In Mode 1, the broadcast may switch between different programmes even within the same network at certain times.*

- **Mode 2 (AF: on/REG: on):**

Network-Tracking is activated and Regional mode is engaged (switches between stations broadcasting the same programme, at all times).

- **Mode 3 (AF: off/REG: off):**

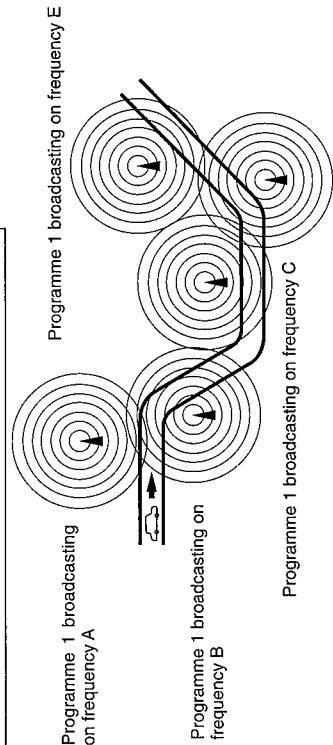
Network-Tracking is deactivated.

Network-Tracking reception

When driving in an area where the signal strength drops, the tuner automatically uses PI (Programme Identification) and AF codes to return to the same programme with a stronger signal from another RDS station in the network. By utilizing these codes, you can continue to listen to the same programme in its finest condition, no matter where you drive. (See illustration.)

- When the RDS station to which you are tuned does not provide AF data or the unit is unable to receive AF data for any reason, Network-Tracking reception will NOT operate even when the signal strength drops below the reference level.

The same programme can be received on different frequencies.



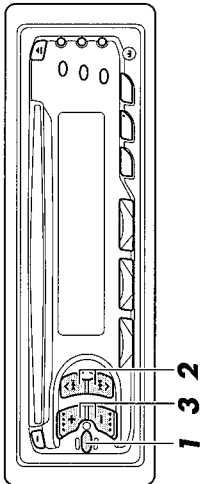
Programme 1 broadcasting on frequency D

9



PTY standby mode

Storing your favourite programme type (PTY) into memory (NEWS is factory-preset.)



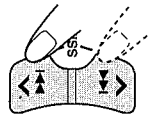
1

Press the SEL button for more than 2 seconds to enter the preferred setting mode (see page 25).



2

Press the $\blacktriangle\blacktriangleright$ or $\blacktriangleleft\blacktriangleleft$ button to select the "PTY STBY" mode.



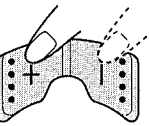
Each time the $\blacktriangle\blacktriangleright$ or $\blacktriangleleft\blacktriangleleft$ button is pressed, the display changes as follows.

CLOCK H \leftrightarrow CLOCK M \leftrightarrow 24H/12H \leftrightarrow
 AUTO RJJ \leftrightarrow DISPMOJE \leftrightarrow CH DISP* \leftrightarrow
 PTY STBY \leftrightarrow PTY SRCH \leftrightarrow TA VOL \leftrightarrow LEVEL* \leftrightarrow BEEP*

*Only for KD-SX838R

**Only for KD-SX838R/S737R

3



Press the + or - button to select one of 29 PTYs. (See the table on page 14.)

For example, when "CLASSICS" is selected in the display, the classical music PTY is stored automatically.

- Press the SEL button to return to the previous mode.

10



Setting and operating PTY standby mode

- When the PTY button is briefly pressed in the FM mode, the "PTY" indicator is lit during reception of a PTY station and the PTY standby mode is engaged. The selected PTY name stored on page 10 (for example: Classics) flashes for 5 seconds.



Note:

When the station being received is not a PTY station, the "PTY" indicator flashes. Press the **▶▶▶** or **◀◀◀** button to engage the PTY standby mode. "SEARCH" appears in the display, and PTY station search starts. When a PTY station is tuned in, "PTY" is lit.

- If you are listening to a CD and wish to hear a selected PTY broadcast, press the PTY button to enter the PTY standby mode. (The "PTY" indicator lights up.)

If the PTY starts broadcasting while the PTY standby mode is active, the selected PTY name is displayed and the FM mode is engaged. The selected PTY can then be heard.

Note:

To deactivate the PTY standby mode, press the PTY button again.

TP (Traffic Programme) button

Setting and operating TA (Traffic Announcement) standby mode

- When the TP button is pressed briefly in the FM mode, the "TP" indicator is lit during reception of a TP station and the TA standby mode is engaged.



Note:

When the station being received is not a TP station, the TP indicator flashes. Press the **▶▶▶** or **◀◀◀** button to engage the TA standby mode. "SEARCH" appears in the display, and TP station search starts. When a TP station is tuned in, "TP" is lit.

- If you're listening to a CD and wish to hear a TA broadcast, press the TP button to enter the TA standby mode. (The "TP" indicator lights up.)
- If a TA programme starts broadcasting while the TA standby mode is active, "TRAFFIC" is displayed and the FM mode is engaged. The volume increases to the preset "TA VOL." level and the TA programme can be heard (see page 15).

Note:

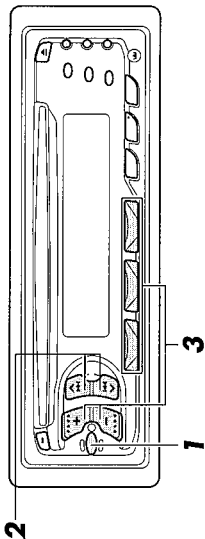
To deactivate the TA standby mode, press the TP button again.

ENGLISH

PTY search mode

Presetting PTYs in number buttons 1-6
The factory-presets are listed below.

1	2	3	4	5	6
POP M	ROCK M	EASY M	CLASSICS	AFFAIRS	VARIED

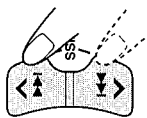


1



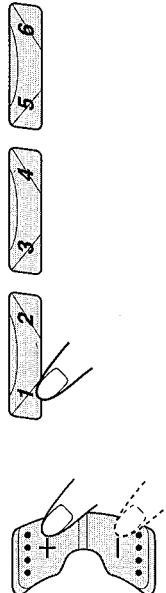
Press the SEL button for more than 2 seconds to enter the preferred setting mode (see page 25).

2



Select the "PTY SRCH" mode with the **▶▶▶** or **◀◀◀** button.

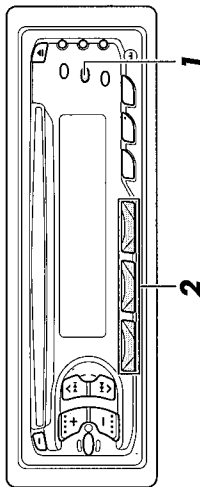
3



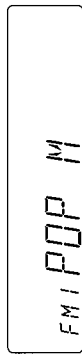
Select the desired PTY with the + or - button (PTYs already stored flash when they are selected), then press the required number button for more than 2 seconds to store it. The stored PTY flashes in the display.



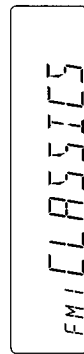
PTY search operation



1 Press and hold the PTY button for more than 1 second in the FM mode. PTY programme search mode is engaged.



2 Recall a PTY stored on page 12 using a number button (1-6).
 Ex. When "CLASSICS" is stored in button 1.



- PTY station search starts after 5 seconds.

Successful programme search results in the desired PTY station being received so its programme can be heard.

- When a PTY station cannot be tuned in, the previous station is received.
- After searching, the PTY selected last will be memorized, then displayed first when PTY search is selected again.

Note:
 There may be areas where PTY functions (PTY standby mode, PTY search) will not work.

ENGLISH



PTY codes

PTY display	
No.	DISPLAY
1	NEWS
2	AFFAIRS
3	INFO
4	SPORT
5	EDUCATE
6	DRAMA
7	CULTURE
8	SCIENCE
9	VARIED
10	POP M
11	ROCK M
12	EASY M
13	LIGHT M
14	CLASSICS
15	OTHER M

- CULTURE:** Programmes on national or regional culture
SCIENCE: Programmes on natural sciences and technology
VARIED: Other programmes like comedies or ceremonies
POP M: Pop music
ROCK M: Rock music
EASY M: Easy-listening music
LIGHT M: Light music
CLASSICS: Classical music
OTHER M: Other music
WEATHER: Weather information
FINANCE: Reports on commerce, trading, the Stock Market, etc.
CHILDREN: Entertainment programmes for children
SOCIAL: Programmes on social activities
RELIGION: Programmes dealing with any aspect of belief or faith, or the nature of existence or ethics
PHONE IN: Programmes where people can express their views either by phone or in a public forum
TRAVEL: Programmes about travel destinations, package tours, and travel ideas and opportunities
LEISURE: Programmes concerned with recreational activities such as gardening, cooking, fishing, etc.
JAZZ: Jazz music
COUNTRY: Country music
NATION M: Current popular music from another nation or region, in that country's language
OLDIES: Classic pop music
FOLK M: Folk music
DOCUMENT: Programmes dealing with factual matters, presented in an investigative style

Descriptions of the PTY Codes

- NEWS:** News
AFFAIRS: Topical programmes expanding on current news or affairs
INFO: Programmes which impart advice on a wide variety of topics.
SPORT: Sport events
EDUCATE: Educational programmes
DRAMA: Radio plays



Display Mode

Setting the main display mode.

1. Press the SEL button for more than 2 seconds to set the preferred setting mode.
2. Select "DISPMODE" with the **▶▶▶▶** or **◀◀◀◀** button.
3. Select the desired mode with the + or - button.
 (Station name (PS NAME) ↔ Frequency being received (FREQ) ↔ Clock time (CLOCK) ↔) (See page 25.)

Note:

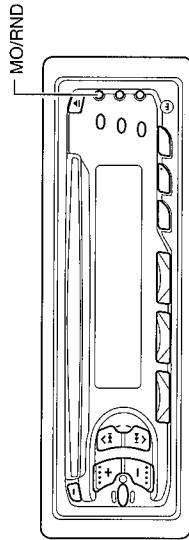
When the "CLOCK" mode is set, clock time remains on the main display even during playback.

Display Button

The DISP button is used to select the Operation (Tuner or CD) and Clock modes. Each time the button is pressed, the display changes as follows:

- Operation mode (Station name* → Frequency being received → PTY; or CD) → Clock time.
- The display returns to the initially preset mode after a short while.
- * When the RDS or PTY signal is weak or when not tuned to an RDS or PTY station, the Station name or PTY is NOT displayed.

Other convenient tuner functions



Selecting FM reception sound

When an FM stereo broadcast is hard to receive:

Press MO/RND (Mono/Random) while listening to an FM stereo broadcast. The sound you hear becomes monaural but reception will be improved.

Lights up when receiving an FM broadcast in stereo.



To restore the stereo effect, press the same button again.



ENGLISH

Other RDS functions

EON (Enhanced Other Networks)

- When tuning in a broadcasting station transmitting EON data, the EON indicator is lit and the following operations start. EON automatically stores the frequencies of stations from other networks transmitting information codes (TP/TA/AF/PTY/PS (Programme Service), etc.) so they can be mutually used. The following points have been improved:

When listening to a station NOT transmitting traffic information or the selected PTY for example, EON automatically tunes to a station in a local network when this information is broadcast and then switches back to the original programme when the broadcast ends. (However, it does not switch back to the original programme if the broadcast continues for a long time.) The transmitted information (AF and other codes) is constantly and automatically updated so that preset programme information can be heard immediately even if in a different network area.

Traffic information volume control

This function adjusts the volume of traffic information broadcasts.

1. Press the SEL button for more than 2 seconds to set the preferred setting mode.
2. Select "TA VOL" with the **▶▶▶▶** or **◀◀◀◀** button.
3. Set to the desired volume with the + or - button. (See page 25.)

Number buttons

When a number button is pressed, if the station with that frequency is broadcasting a sufficiently strong signal, the receiver will tune to that frequency.

When the signal strength is not sufficient for good reception, by referring to the AF list, the receiver searches for a station broadcasting the same programme with a stronger signal. If a station cannot be found in the AF list, PI-seek tuning starts. If a station broadcasting the same PI code cannot be detected in one search-cycle, PI-seek tuning is released and the original preset frequency is tuned to.

CT (Clock Time)

When CT data is received in the RDS signal, the time is correctly renewed.

- RDS updates the local time according to Greenwich Mean Time.
- When automatic renewal of clock time is NOT required, follow the steps below.

1. Press the SEL button for more than 2 seconds to set the preferred setting mode.
2. Select "AUTO ADJ" with the **▶▶▶▶** or **◀◀◀◀** button.
3. Press the "-" level control button and set to "ADJ OFF". (See page 25.)

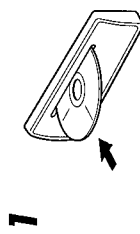
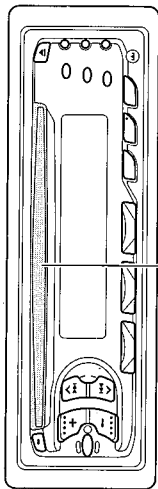
Once these steps are completed, clock time is not renewed even if the CT (Clock Time) data is received with the RDS signal. When you wish to reactivate this mode, repeat the same procedure and in Step 3 press the "+" Level Control button to set to "ADJ ON." In the activated mode, clock time is automatically renewed when the CT data is received.

Note:

It takes at least 2 minutes to renew the time after receiving CT data. The station must be received for more than 2 minutes continuously, otherwise the clock time will NOT be renewed.

CD OPERATIONS

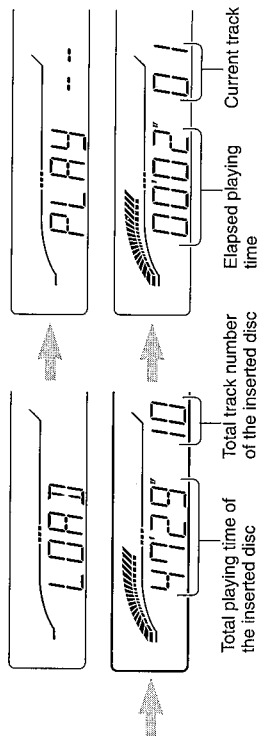
Playing a CD



Insert a disc into the loading slot.

The unit turns on, draws a CD and starts playback automatically.

- When a CD is inserted upside down, "NO DISC" appears on the display and the CD automatically ejects.



Note on One-Touch Operation:

When a CD is already in the loading slot, pressing CD turns on the unit and starts playback automatically.

CAUTION on Volume Setting

CDs produce very little noise compared with other sources. If the volume level is adjusted for the tuner, for example, the speakers may be damaged by the sudden increase in the output level. Therefore, lower the volume before playing a CD and adjust it as required during playback.

To stop play and eject the CD

Press **▲**.

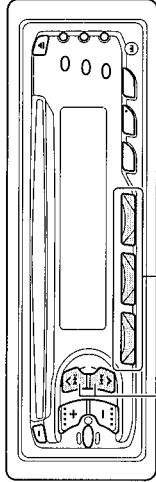
CD play stops and the CD automatically ejects from the loading slot.

If you change the source to AM/FM (or CD changer for KD-SX838R only), the CD play also stops (without ejecting the CD this time).

- If the ejected disc is not removed for about 15 seconds, the disc is automatically inserted again into the loading slot to protect it from dust. (CD play will not start this time.)
- You can eject the CD even when the unit is turned off.

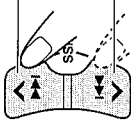


Locating a track or a particular portion on a CD



Number buttons

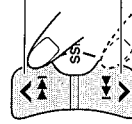
To fast forward or reverse the track



Press and hold **▶▶** **▲**, while playing a CD, to fast forward the track.

Press and hold **◀◀** **▼**, while playing a CD, to reverse the track.

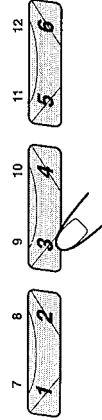
To go to the next track or the previous track



Press **▶▶** **▲** briefly, while playing a CD, to go ahead to the beginning of the next track. Each time you press the button consecutively, the beginning of the next track is located and played back.

Press **◀◀** **▼** briefly, while playing a CD, to go back to the beginning of the current track. Each time you press the button consecutively, the beginning of the previous track is located and played back.

To go to a particular track directly



Press the number button corresponding to the track number to start its playback.

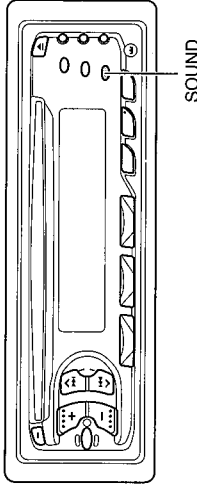
- To select a track number from 1 – 6: Press 1 (7) – 6 (12) briefly.
- To select a track number from 7 – 12: Press and hold 1 (7) – 6 (12) for more than 1 second.

ENGLISH

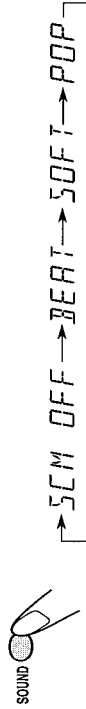
SOUND ADJUSTMENTS

Selecting preset sound modes

You can select a preset sound adjustment suitable to the music genre:



Each time you press SOUND, the sound mode changes as follows.



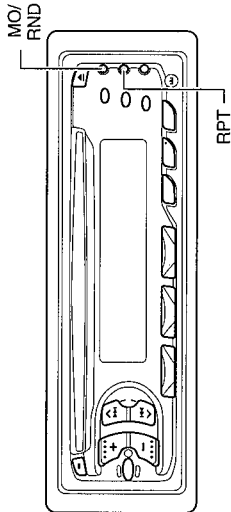
Indication	For:	Preset values		
		Bass	Treble	Loudness
SCM OFF	(Flat sound)	00	00	On
BEAT	Rock or disco music	+2	00	On
SOFT	Quiet background music	+1	-3	Off
POP	Light music	+4	+1	Off

Notes:

- You can adjust the preset sound mode to your preference, and store it in memory. If you want to adjust and store your original sound mode, see "Storing your own sound adjustments" on page 22.
- To adjust only the bass and treble reinforcement levels to your preference, see "Adjusting the sound" on page 21.

ENGLISH

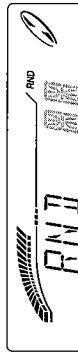
Selecting CD playback modes



To play back tracks at random (Random Play)

You can play back all tracks on the CD at random.

Each time you press MO/RND (Mono/Random) while playing a CD, CD random play mode turns on and off alternatively. When the random mode is turned on, the RND indicator lights up on the display and a track randomly selected starts playing.



To play back tracks repeatedly (Repeat Play)

You can play back the current track repeatedly.

Each time you press RPT (Repeat) while playing a CD, CD repeat play mode changes turns on and off alternatively. When the repeat mode is turned on, the RPT indicator lights up on the display.



Track number of the currently playing track

Other convenient CD functions

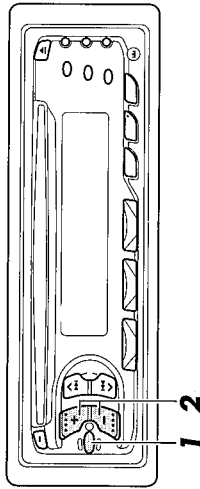
Prohibiting CD ejection

You can prohibit the CD ejection and can "lock" a CD in the loading slot. Press and hold CD and \blacktriangle for more than 2 seconds. "EJECT" flashes on the display for about 5 seconds, and the CD is "locked." To cancel the prohibition and "unlock" the CD, press and hold CD and \blacktriangle for more than 2 seconds again. "EJECT" appears on the display, and the CD ejects from the loading slot.



Adjusting the sound

You can adjust the sound characteristics to your preference.



1



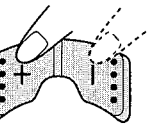
Select the item you want to adjust.

→ BAS → TRE → FAD → BAL → LOUD → VOL →

Indication	To do:	Range
BAS (Bass)	Adjust the bass	-6 (min.) — +6 (max.)
TRE (Treble)	Adjust the treble	-6 (min.) — +6 (max.)
FAD (Fader)*	Adjust the front and rear speaker balance	R6 (rear only) — F6 (front only)
BAL (Balance)	Adjust the left and right speaker balance	L6 (left only) — R6 (right only)
LOUD (Loudness)	Boost low and high frequencies to produce a well-balanced sound at low volume level.	ON — OFF
VOL (Volume)	Adjust the volume	00 (min.) — 50 (max.)

Note:
 * If you are using a two-speaker system, set the fader level to "00" (center).

2



Adjust the level.

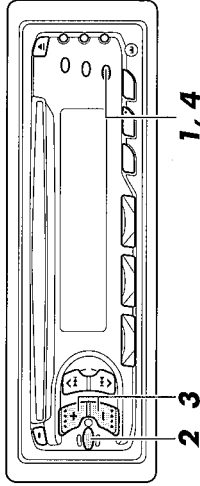
Press the + button to turn on the loudness function, and the - button to turn it off.

Note:
 Normally the + and - buttons work as the volume control buttons. So you do not have to select "VOL" to adjust the volume level.

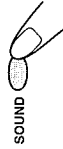


Storing your own sound adjustments

You can adjust the sound modes (BEAT, SOFT, POP: see page 20) to your preference and store your own adjustments in memory.



1



Call up the sound mode you want to adjust.
 See page 20 for details.

Within 5 seconds

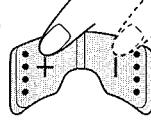
2



Select "BAS", "TRE" or "LOUD".

Within 5 seconds

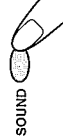
3



Adjust the bass or treble level or turn the loudness function ON/OFF.
 See page 21 for details.

Within 5 seconds

4



Press and hold SOUND until the sound mode you have selected in step 1 flashes on the display.
 Your setting is stored in memory.

5

Repeat the same procedure to store other settings.

To reset to the factory settings

Repeat the same procedure and reassign the preset values listed in the table on page 20.

OTHER MAIN FUNCTIONS

Setting the clock

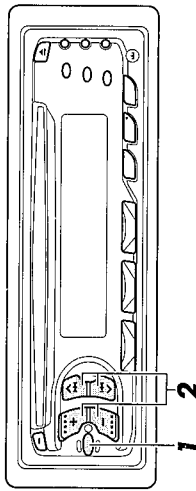
Selecting 24-hour or 12-hour clock display

- (Set to 24-hour at the factory)
1. Press the SEL button for more than 2 seconds to set the preferred setting mode (See page 25).
 2. Select the "24H/12H" mode with the **▶▶▶** or **◀◀◀** button.
 3. Select 24H or 12H with the level control buttons (**+**, **-**).

How to select the clock mode as the main display mode

1. Press the SEL button for more than 2 seconds to set the preferred setting mode (See page 25).
2. Select "DISPMODE" with the **▶▶▶** or **◀◀◀** button.
3. Select "CLOCK" with the level control buttons (**+**, **-**).

With the clock display mode selected, when any other operation button is pressed, the display mode of the source you selected is shown. After a few seconds, the display returns to the clock mode.



1



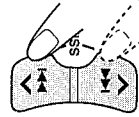
Press and hold the button for more than 2 seconds to set the preferred setting mode. (See page 25.)

2

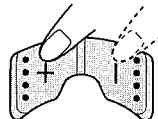
Set the hour.

1. Select "CLOCK H" if not shown on the display.
2. Adjust the hour.

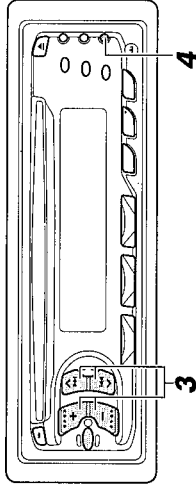
1



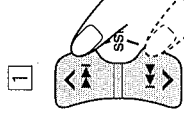
2



ENGLISH



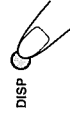
3



Set the minute.

1. Select "CLOCK M"
2. Adjust the minute.

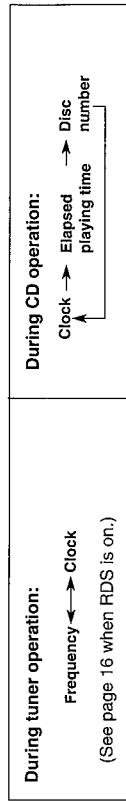
4



Start the clock.

To check the current clock time (changing the display mode)

Press DISP repeatedly. Each time you press the button, the display mode changes as follows



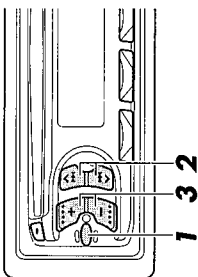
- If the unit is not in use when you press DISP, the power turns on, the clock time is shown for 5 seconds, then the power turns off.



Storing your own mode settings

Preferred setting mode control

This mode has been set at the factory, but it can be set to suit your needs.

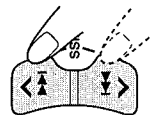


1

Press the SEL button for more than 2 seconds to set the preferred setting mode.

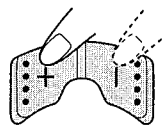


2



Select each mode.

3



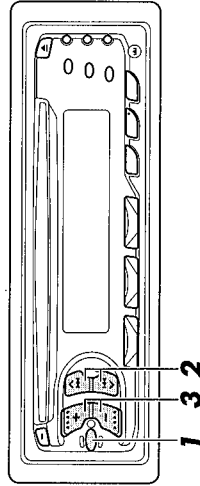
Set the desired mode.

ENGLISH

Turning on/off the key-touch tone

This function is ONLY FOR KD-SX838R.

You can deactivate the key-touch tone if you do not want to make it beep when you press a button. (When shipped from the factory, the key-touch tone is activated.)

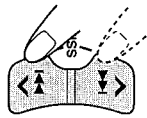


1



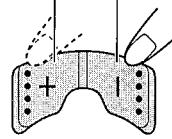
Press and hold the button for more than 2 seconds to set the preferred setting mode (see page 25).

2



Select "BEEP" if not shown on the display.

3



To activate the key-touch tone (ON).

To deactivate the key-touch tone (OFF).

Selecting the level display (only for KD-SX838R/S737R)

You can select the level display according to your preference.

1. Press the SEL button for more than 2 seconds to set the preferred setting mode.
2. Select "LEVEL" with the $\blacktriangle\blacktriangleright$ or $\blacktriangleleft\blacktriangleleft$ button.
3. Select the desired mode with the + or - button.

Volume level (OFF) \leftrightarrow Signal level (AUDIO) (see page 25)

1	2	3	Factory-preset settings	See page
CLOCK H	Hour adjustment	Back	Advance	23-24
CLOCK M	Minute adjustment	Back	Advance	
24H/12H	24/12-hour time display	12H	24H	23
AUTO ADJ	Automatic setting of the clock	ADJ OFF	ADJ ON	15
DISPMOJE	Display mode	PS NAME \leftrightarrow FREQ \leftrightarrow CLOCK \leftrightarrow	PS NAME	16
CH DISP	Changer display (only for KD-SX838R)	TIME	DISC	29
PTY STBY	PTY standby	29 programme types (See page 14.)	NEWS	10-11
PTY SRCH	PTY search	VOL (00-50)	NEWS	12-13
TR VOL	Traffic announcement volume	VOL (00-50)	VOL (20)	11, 15
LEVEL	Level display (only for KD-SX838R/S737R)	OFF (volume)	AUDIO (signal)	26
BEEP	Key-touch tone (only for KD-SX838R)	OFF	ON	26

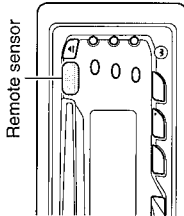
• Press the SEL button when you have finished setting to return to the previous mode.

REMOTE OPERATIONS

This section is ONLY FOR KD-SX838R.

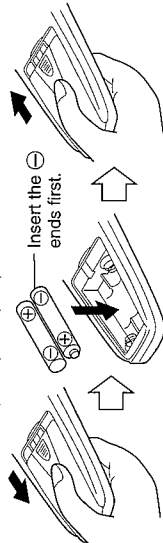
Before using the remote controller:

- Aim the remote controller directly at the remote sensor on the main unit. Make sure there is no obstacle in between.
- Do not expose the remote sensor to strong light (direct sunlight or artificial lighting).



Installing the batteries

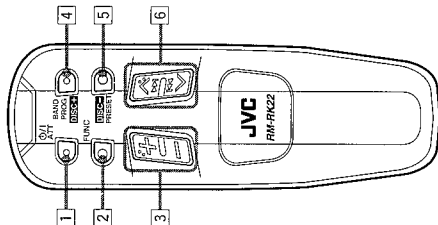
R03(UM-4)/AAA(24F)



When the controllable range or effectiveness of the remote controller decreases, replace the batteries - R03(UM-4)/AAA(24F).

Using the remote controller

- 1 Functions the same as the \odot /I/ATT button on the main unit.
- 2 Select the source.
- 3 Each time you press FUNC (function), the source changes. Functions as the +/- buttons on the main unit.
- 4 Does not function for the preferred setting mode adjustment. Functions as the BAND button while listening to the radio. Each time you press the button, the band changes.
- 5 Functions as the DISC + button while listening to the CD and selected disc starts playing. Does not function as the PROG button.
- 6 Functions as the PRESET button while listening to the radio. Each time you press the button, the preset station number increases, and selected station is tuned in. Functions as the DISC - button while listening to the CD changer. Each time you press the button, the disc number increases, and selected disc starts playing.
- 7 Functions as the FAST button while listening to the radio. Each time you press the button, the disc number decreases, and selected disc starts playing.
- 8 Searches stations while listening to the radio.
- 9 Fast forwards or reverses the track if pressed and held while listening to the CD.
- 0 Skips to the beginning of the next tracks or go back to the beginning of the current (or previous tracks) if pressed briefly while listening to the CD.



ENGLISH

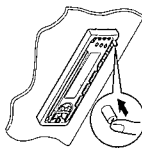
Detaching the control panel

You can detach the control panel when leaving the car. When detaching or attaching the control panel, be careful not to damage the connectors on the back of the control panel and on the panel holder.

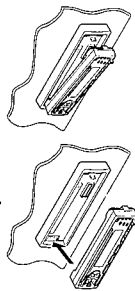
How to detach the control panel

Before detaching the control panel, be sure to turn off the power.

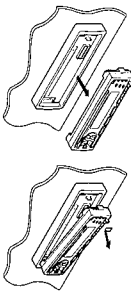
1 Unlock the control panel.



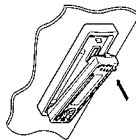
1 Insert the left side of the control panel into the groove on the panel holder.



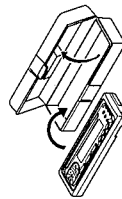
2 Lift and pull the control panel out of the unit.



2 Press the right side of the control panel to fix it to the panel holder.

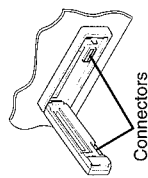


3 Put the detached control panel into the provided case (only for KD-SX838R/S737R).



Note on cleaning the connectors:

If you frequently detach the control panel, the connectors will deteriorate. To minimize this possibility, periodically wipe the connectors with a cotton swab or cloth moistened with alcohol, being careful not to damage the connectors.



Connectors

CD CHANGER OPERATIONS

This section is ONLY FOR KD-SX838R, when used with a JVC CD automatic changer (separately purchased).

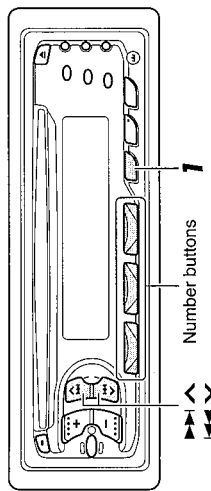
We recommend that you use one of the CH-X series with your KD-SX838R. If you have another CD automatic changer, consult your JVC IN-CAR ENTERTAINMENT dealer for connections.

- For example, if your CD automatic changer is one of the KD-MK series, you need a cord (KS-U15K) for connecting it to this unit.

Before operating your CD automatic changer:

- Refer also to the Instructions supplied with your CD changer.
- If no discs are in the magazine of the CD changer or the discs are inserted upside down, "NO CD" or "NO DISC" will appear on the display. If this happens, remove the magazine and set the discs correctly.
- If "RESET 1" - "RESET 3" appears on the display, something is wrong with the connection between this unit and the CD changer. If this happens, check the connection, connect the connecting cord(s) firmly if necessary, then press the reset button of the CD changer.

Playing CDs



1

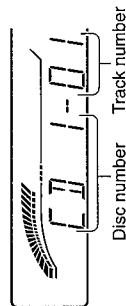


Select the CD automatic changer.

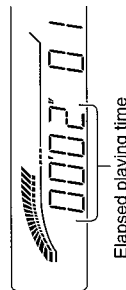
Playback starts from the first track of the first disc.
All tracks of all discs are played back.

- "DISC" or "TIME" can be selected in the preferred setting mode control (see page 25).

When "DISC" is selected



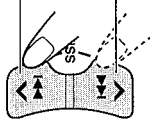
When "TIME" is selected



ENGLISH



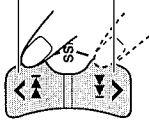
To fast forward or reverse the track



Press and hold **▶▶** or **◀◀**, while playing a CD, to fast forward the track.

Press and hold **◀◀** or **▶▶**, while playing a CD, to reverse the track.

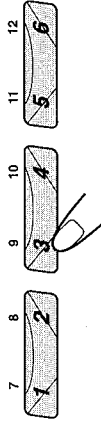
To go to the next track or the previous track



Press **▶▶** or **◀◀** briefly, while playing a CD, to go ahead to the beginning of the next track. Each time you press the button consecutively, the beginning of the next track is located and played back.

Press **◀◀** or **▶▶** briefly, while playing a CD, to go back to the beginning of the current track. Each time you press the button consecutively, the beginning of the previous track is located and played back.

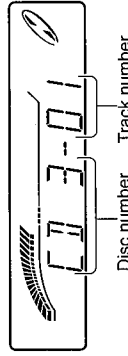
To go to a particular disc directly



Press the number button corresponding to the disc number to start its playback (while the CD changer is playing).

- To select a disc number from 1 - 6:
Press 1 (7) - 6 (12) briefly.
- To select a disc number from 7 - 12:
Press and hold 1 (7) - 6 (12) for more than 1 second.

Ex. When disc number 3 is selected



Note on One-Touch Operation:

When you press CD-CH, the power automatically comes on. You do not have to press **⏻**/HATT to turn on the power.



MAINTENANCE

This unit has been designed only to reproduce the CDs bearing the **Compact Disc Digital Audio** mark. Other discs cannot be played back.

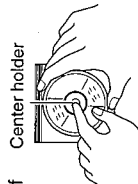
How to handle CDs

When removing a CD from its case, press down the center holder of the case and lift the CD out, holding it by the edges.

- Always hold the CD by the edges. Do not touch its recording surface.

When storing a CD into its case, gently insert the CD around the center holder (with the printed surface facing up).

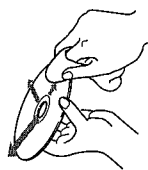
- Make sure to store CDs into the cases after use.



Center holder

To keep CDs clean

A dirty CD may not play correctly. If a CD does become dirty, wipe it with a soft cloth in a straight line from center to edge.



To play new CDs

New CDs may have some rough spots around the inner and outer edges. If such a CD is used, this unit may reject the CD.

To remove these rough spots, rub the edges with a pencil or ball-point pen, etc.



Moisture condensation

Moisture may condense on the lens inside the CD player in the following cases:

- After starting the heater in the car.
 - If it becomes very humid inside the car.
- Should this occur, the CD player may malfunction. In this case, eject the CD and leave the unit turned on for a few hours until the moisture evaporates.

CAUTIONS:

- Do not insert 8cm (3 3/16") CDs (single CDs) into the loading slot. (Such CDs cannot be ejected.)
- Do not insert any CD of unusual shape – like a heart or flower; otherwise, it will cause a malfunction.
- Do not expose CDs to direct sunlight or any heat source or place them in a place subject to high temperature and humidity. Do not leave them in a car.
- Do not use any solvent (for example, conventional record cleaner, spray, thinner, benzine, etc.) to clean CDs.

About mistracking:

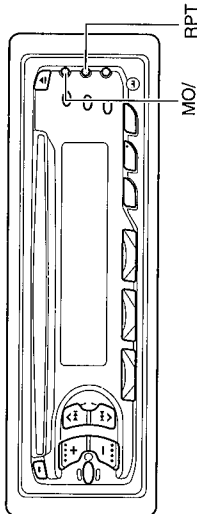
Mistracking may result from driving on extremely rough roads. This does not damage the unit and the CD, but will be annoying.

We recommend that you stop CD play while driving on such rough roads.

ENGLISH



Selecting CD playback modes



To play back tracks at random (Random Play)

Each time you press MO/RND (Mono/Random) while playing a CD, CD random play mode changes as follows:



Mode	RND Indicator	Plays at random
RND1	Lights	All tracks of the current disc, then the tracks of the next disc, and so on.
RND2	Flashes	All tracks of all discs inserted in the magazine.

To play back tracks repeatedly (Repeat Play)

Each time you press RPT (Repeat) while playing a CD, CD repeat play mode changes as follows:



Mode	RPT Indicator	Plays repeatedly
RPT1	Lights	The current track (or specified track).
RPT2	Flashes	All tracks of the current disc (or specified disc).

TROUBLESHOOTING ?!

What appears to be trouble is not always serious. Check the following points before calling a service centre.

Symptoms	Causes	Remedies
• CD cannot be played back.	CD is inserted upside down.	Insert the CD correctly.
• CD sound is sometimes interrupted.	You are driving on rough roads. CD is scratched. Connections are incorrect.	Stop CD play while driving on rough roads. Change the CD. Check the cords and connections.
• Sound cannot be heard from the speakers.	The volume control is turned to the minimum level. Connections are incorrect.	Adjust it to the optimum level. Check the cords and connections.
• SSM (Strong-station Sequential Memory) automatic preset does not work.	Signals are too weak.	Store stations manually.
• Static noise while listening to the radio.	The antenna is not connected firmly.	Connect the antenna firmly.
• "NO CD" or "NO DISC" appears on the display.	No CD is in the loading slot (or in the magazine). CD is inserted incorrectly.	Insert CD. Insert it correctly.
• "RESET 8" appears on the display.	This unit is not connected to a CD changer correctly.	Connect this unit and the CD changer correctly and press the reset button of the CD changer.
• "RESET 1-RESET 7" appears on the display.	_____	Press the reset button of the CD changer.
• CD can be neither played back nor ejected.	The CD player may function incorrectly.	Press \odot /WATT and \blacktriangle at the same time for more than 2 seconds. Be careful not to drop CD when it is ejected.
• The unit does not work at all.	The built-in microcomputer may function incorrectly due to noise, etc.	Press \odot /WATT and SEL at the same time for more than 2 seconds to reset the unit. (The clock setting and preset stations stored in memory are erased.)

ENGLISH

SPECIFICATIONS

AUDIO AMPLIFIER SECTION

FOR KD-SX838R/S737R:

Maximum Power Output:
 Front: 40 watts per channel
 Rear: 40 watts per channel
 Continuous Power Output (RMS):
 Front: 16 watts per channel into 4 Ω , 40 to 20,000 Hz at no more than 0.8% total harmonic distortion.
 Rear: 16 watts per channel into 4 Ω , 40 to 20,000 Hz at no more than 0.8% total harmonic distortion.

FOR KD-S707R:

Maximum Power Output:
 Front: 35 watts per channel
 Rear: 35 watts per channel
 Continuous Power Output (RMS):
 Front: 15 watts per channel into 4 Ω , 40 to 20,000 Hz at no more than 0.8% total harmonic distortion.
 Rear: 15 watts per channel into 4 Ω , 40 to 20,000 Hz at no more than 0.8% total harmonic distortion.

CD PLAYER SECTION

Type: Compact disc player
 Signal Detection System: Non-contact optical pickup (semiconductor laser)
 Number of channels: 2 channels (stereo)
 Frequency Response: 5 to 20,000 Hz
 Dynamic Range: 96 dB
 Signal-to-Noise Ratio: 98 dB
 Wow and Flutter: Less than measurable limit

GENERAL

Power Requirement
 Operating Voltage: DC 14.4 volts (11 to 16 volts allowance)
 Grounding System: Negative ground
 Dimensions (W x H x D)

TUNER SECTION

Frequency Range
 FM: 87.5 to 108.0 MHz
 AM: (MW) 522 to 1,620 kHz
 (LW) 144 to 279 kHz

[FM Tuner]

Usable Sensitivity: 11.3 dBf (1.0 μ V/75 Ω)
 50 dB Quieting Sensitivity:
 16.3 dBf (1.8 μ V/75 Ω)
 Alternate Channel Selectivity (400 kHz):
 65 dB
 Frequency Response: 40 to 15,000 Hz
 Stereo Separation: 30 dB
 Capture Ratio: 1.5 dB

[MW Tuner]

Sensitivity: 20 μ V
 Selectivity: 35 dB

[LW Tuner]

Sensitivity: 50 μ V

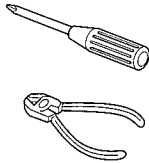
Installation Size:
 182 x 52 x 150 mm
 Panel Size: 188 x 58 x 14 mm
 Mass: 1.3 kg (2.9 lbs) (excluding accessories)

Design and specifications subject to change without notice.

JVC KD-SX838R
KD-S737R
KD-S707R

Installation/Connection Manual
Einbau/Anschlußanleitung
Manuel d'installation/raccordement

VNN3832-T211S
[E]



Printed in Singapore
1297MMMDWJES
EN, GE, FR

ENGLISH

• This unit is designed to operate on 12 volts DC, NEGATIVE ground electrical systems.

**INSTALLATION
(IN-DASH MOUNTING)**

• The following illustration shows a typical installation. However, you should make adjustments corresponding to your specific car. If you have any questions or require information regarding installation kits, consult your JVC IN-CAR ENTERTAINMENT dealer or a company supplying kits.

DEUTSCH

• Dieses Gerät ist für einen Betrieb in elektrischen Anlagen mit 12 V Gleichstrom und (-) Erdung ausgelegt.

**Einbau
(IM ARMATURENBRETT)**

• Die folgende Abbildung zeigt einen typischen Einbau. Dennoch müssen Sie entsprechend Ihrem jeweiligen Auto Anpassungen vornehmen. Bei irgendwelchen Fragen oder wenn Sie Informationen hinsichtlich des Einbausatzes brauchen, wenden Sie sich an Ihren JVC Autoradiohändler oder ein Unternehmen das diese Einbausätze vertreibt.

FRANÇAIS

• Cet appareil est conçu pour fonctionner sur des sources de courant continu de 12 volts à masse NEGATIVE.

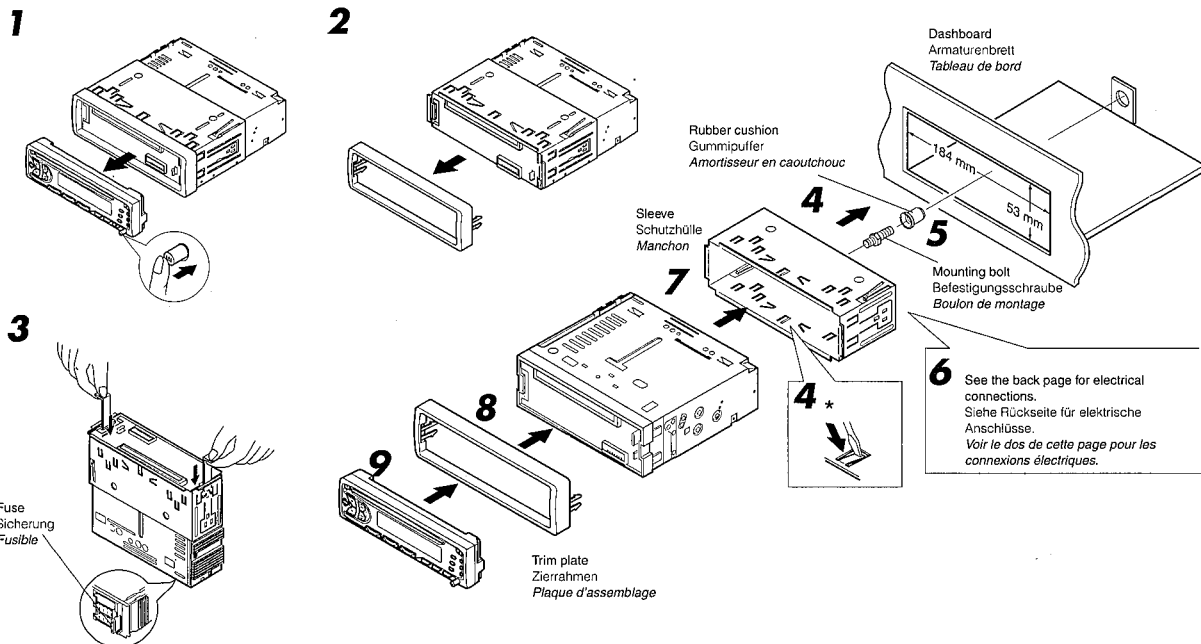
**INSTALLATION
(MONTAGE DANS LE TABLEAU DE BORD)**

• L'illustration suivante est un exemple d'installation typique. Cependant, vous devez faire les ajustements correspondant à votre voiture particulière. Si vous avez des questions ou avez besoin d'information sur des kits d'installation, consulter votre revendeur d'autoradios JVC ou une compagnie d'approvisionnement.

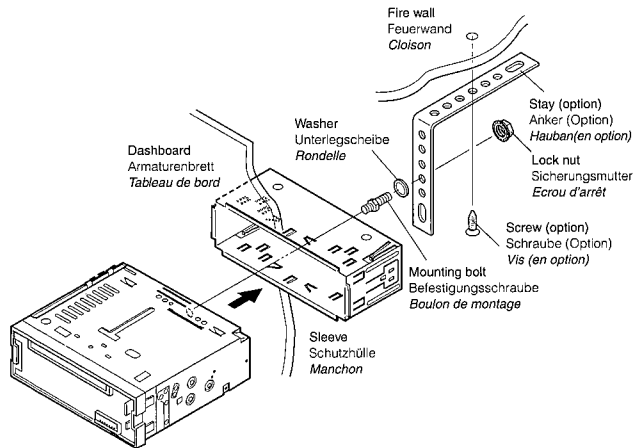
- 1 **Before mounting:** Press (Control Panel Release button) to detach the control panel.
- 2 Remove the trim plate.
- 3 Remove the sleeve after disengaging the sleeve locks.
 - ① Stand the unit.
 - Note:** When you stand the unit, be careful not to damage the fuse on the rear.
 - ② Insert the 2 handles between the unit and the sleeve, as illustrated, to disengage the sleeve locks.
 - ③ Remove the sleeve.
 - Note:** Be sure to keep the handles for future use after installing the unit.
- 4 Install the sleeve into the dashboard.
 - * After the sleeve is correctly installed into the dashboard, bend the appropriate tabs to hold the sleeve firmly in place, as illustrated.
- 5 Fix the mounting bolt to the rear of the unit's body and place the rubber cushion over the end of the bolt.
- 6 Do the required electrical connections explained on the back of this instructions.
- 7 Slide the unit into the sleeve until it is locked.
- 8 Attach the trim plate.
- 9 Attach the control panel.

- 1 **Vor dem Einbau:** (Schalttafel-Freigabelaste) zum Lösen der Schalttafel drücken.
- 2 Den Zierrahmen herausnehmen.
- 3 Die Schutzhülle nach dem Entriegeln der Schutzhülensperren abnehmen.
 - ① Das Gerät aufstellen.
 - Hinweis:** Beim Aufstellen des Geräts darauf achten, daß die Sicherung auf der Rückseite nicht beschädigt wird.
 - ② Die beiden Griffe zwischen dem Gerät und der Schutzhülle wie abgebildet einstecken und die Schutzhülensperren entriegeln.
 - ③ Die Schutzhülle entfernen.
 - Hinweis:** Sicherstellen, daß die Griffe für künftigen Gebrauch nach dem Einbau des Geräts aufbewahrt werden.
- 4 Die Schutzhülle im Armaturenbrett einbauen.
 - * Nach dem korrekten Einbau der Schutzhülle im Armaturenbrett, die entsprechenden Riegel umknicken, um die Schutzhülle an ihrem Platz zu sichern, siehe Abbildung.
- 5 Die Befestigungsschraube an der Rückseite des Gerätekörpers befestigen und das Ende der Schraube mit einem Gummipuffer abdecken.
- 6 Die elektrischen Verbindungen wie umseitig in dieser Anleitung erklärt ausführen.
- 7 Das Gerät in die Schutzhülle schieben, bis es einrastet.
- 8 Den Zierrahmen anbringen.
- 9 Die Schalttafel anbringen.

- 1 **Avant le montage:** Appuyer sur (touche de libération du panneau de commande) pour détacher le panneau de commande.
- 2 Retirer la plaque d'assemblage.
- 3 Libérer les verrous du manchon et retirer le manchon.
 - ① Poser l'appareil à la verticale.
 - Remarque:** Lorsque vous mettez l'appareil à la verticale, faire attention de ne pas endommager le fusible situé sur le fond.
 - ② Insérer les 2 poignées entre l'appareil et le manchon comme indiqué pour désengager les verrous de manchon.
 - ③ Retirer le manchon.
 - Remarque:** S'assurer de garder les poignées pour une utilisation ultérieure, après l'installation de l'appareil.
- 4 Installer le manchon dans le tableau de bord.
 - * Après installation correcte du manchon dans le tableau de bord, plier les bonnes pattes pour maintenir fermement le manchon en place, comme montré.
- 5 Monter le boulon de montage sur l'arrière du corps de l'appareil puis passer l'amortisseur en caoutchouc sur l'extrémité du boulon.
- 6 Réaliser les connexions électriques expliquées au dos de cette page.
- 7 Faire glisser l'appareil dans le manchon jusqu'à ce qu'il soit verrouillé.
- 8 Fixer la plaque d'assemblage.
- 9 Remonter le panneau de commande.

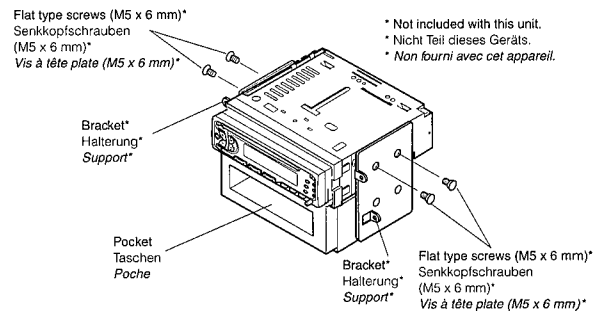


- When using the optional stay
- Beim Verwenden der Anker-Option
- Lors de l'utilisation du hauban en option



- When installing the unit without using the sleeve
- Beim Einbau des Geräts ohne Schutzhülle
- Lors de l'installation de l'appareil sans utiliser de manchon

In a Toyota for example, first remove the car radio and install the unit in its place.
Zum Beispiel in einem Toyota zuerst das Autoradio ausbauen und dann das Gerät an seinem Platz einbauen.
Par exemple dans une Toyota, retirer d'abord l'autoradio et installer l'appareil à la place.



Nota: When installing the unit on the mounting bracket, make sure to use the 6 mm-long screws. If longer screws are used, they could damage the unit.

Hinweis: Beim Anbringen des Gerät an der Halterung sicherstellen, daß 6 mm lange Schrauben verwendet werden. Werden längere Schrauben verwendet, können sie das Gerät beschädigen.

Remarque: Lors de l'installation de l'appareil sur le support de montage, s'assurer d'utiliser des vis d'une longueur de 6 mm. Si des vis plus longues sont utilisées, elles peuvent endommager l'appareil.

Removing the unit

- Before removing the unit, release the rear section.

- 1 Remove the control panel.
- 2 Remove the trim plate.
- 3 Insert the 2 handles into the slots, as shown. Then, while gently pulling the handles away from each other, slide out the unit. (Be sure to keep the handles after installing it.)

Ausbau des Geräts

- Vor dem Ausbau des Geräts den hinteren Teil freigeben.

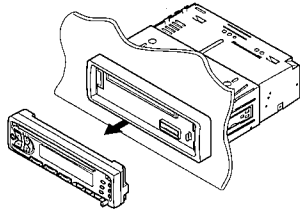
- 1 Die Schalttafel abnehmen.
- 2 Den Zierrahmen abnehmen.
- 3 Die 2 Griffe in die Schlitzte wie gezeigt stecken. Dann die Griffe behutsam auseinander ziehen und das Gerät herausziehen. (Die Griffe nach dem Einbau auf jeden Fall aufbewahren.)

Retrait de l'appareil

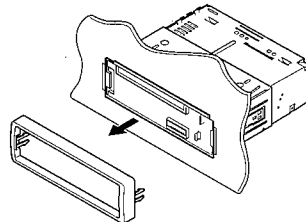
- Avant de retirer l'appareil, libérer la section arrière.

- 1 Retirer le panneau de commande.
- 2 Retirer la plaque d'assemblage.
- 3 Introduire les deux poignées dans les fentes, comme montré. Puis, tout en tirant doucement les poignées écartées, faire glisser l'appareil pour le sortir. (S'assurer de conserver les poignées après l'installation de l'appareil.)

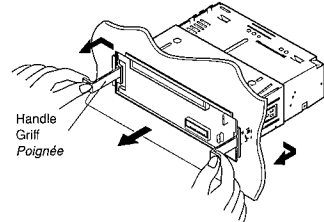
1



2



3



Parts list for installation and connection

The following parts are provided with this unit.
After checking them, please set them correctly.

Hard case
(ONLY FOR KD-SX838R/S737R)
Hartgehäuse
(NUR FÜR KD-SX838R/S737R)
Étui de transport
(SEULEMENT POUR LES KD-SX838R/S737R)

Power cord
Netzleitung
Cordon d'alimentation

Handles
Griffe
Poignées

Washer (ø5)
Unterlegscheibe(ø5)
Rondelle (ø5)

Lock nut (M5)
Sicherungs Mutter (M5)
Ecrou d'arrêt (M5)

Mounting bolt (M5 x 20 mm)
Befestigungsschrauben (M5 x 20 mm)
Boulon de montage (M5 x 20 mm)

Rubber cushion
Gummipuffer
Amortisseur en caoutchouc

Teileliste für den Einbau und Anschluß

Die folgenden Teile werden zusammen mit diesem Gerät geliefert.
Nach ihrer Überprüfung, die Teile richtig einsetzen.

Sleeve
Schutzhülle
Manchon

Trim plate
Zierrahmen
Plaque d'assemblage

Liste des pièces pour l'installation et raccordement

Les pièces suivantes sont fournies avec cet appareil.
Après vérification, veuillez les placer correctement.

ONLY FOR KD-SX838R
NUR FÜR KD-SX838R
SEULEMENT POUR LE KD-SX838R

Remote controller and holder
Fernbedienung und Halterung
Télécommande et support

Batteries
Batterien
Piles

R03(UM-4)/AAA(24F)

Installation: Remote Controller (ONLY FOR KD-SX838R)

Einbau: Fernbedienung (NUR FÜR KD-SX838R)

Installation: Télécommande (SEULEMENT POUR LE KD-SX838R)

Double-faced tape (not included with this unit)
Doppelseitiges Klebeband (wird nicht mit Gerät mitgeliefert)
Bande double face (non fourni avec cet appareil)

Dashboard, etc
Armaturenbrett
Tableau de bord, etc.

Holder
Halterung
Support

Remote controller
Fernbedienung
Télécommande

• Before attaching the double-faced tape, wipe and clean the place where you plan to attach it.

• Vor dem Anbringen des doppelseitigen Klebebands, die Stelle, an der es angebracht werden soll, abwischen und reinigen.

• Avant d'attacher la bande double face, essuyez et nettoyez l'emplacement où vous projetez de l'attacher.

ENGLISH

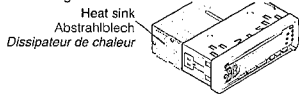
ELECTRICAL CONNECTIONS

To prevent short circuits, we recommend that you disconnect the battery's negative terminal and make all electrical connections before installing the unit. If you are not sure how to install this unit correctly, have it installed by a qualified technician.

Note:

This unit is designed to operate on 12 volts DC, NEGATIVE ground electrical systems. If your vehicle does not have this system, a voltage inverter is required, which can be purchased at JVC IN-CAR ENTERTAINMENT dealers.

- Replace the fuse with one of the specified rating. If the fuse blows frequently, consult your JVC IN-CAR ENTERTAINMENT dealer.
- If noise is a problem... This unit incorporates a noise filter in the power circuit. However, with some vehicles, clicking or other unwanted noise may occur. If this happens, connect the unit's rear ground terminal (See connection diagram below) to the car's chassis using shorter and thicker cords, such as copper braiding or gauge wire. If noise still persists, consult your JVC IN-CAR ENTERTAINMENT dealer.
- Maximum input of the speakers should be more than 40 watts at the rear and 40 watts at the front, with an impedance of 4 to 8 ohms. (ONLY FOR KD-SX838R/S737R)
- Maximum input of the speakers should be more than 35 watts at the rear and 35 watts at the front, with an impedance of 4 to 8 ohms. (ONLY FOR KD-S707R)
- Be sure to ground this unit to the car's chassis. The heat sink becomes very hot after use. Be careful not to touch it when removing this unit.



DEUTSCH

ELEKTRISCHE ANSCHLÜSSE

Zur Vermeidung von Kurzschlüssen empfehlen wir, daß Sie den negativen Batterieanschluß abtrennen und alle elektrischen Anschlüsse herstellen, bevor das Gerät eingebaut wird. Sind Sie sich über den richtigen Einbau des Geräts nicht sicher, lassen Sie es von einem qualifizierten Techniker einbauen.

Hinweis:

Dieses Gerät ist für den Betrieb in elektrischen Anlagen mit 12 V Gleichstrom und (-) Erdung ausgelegt. Verfügt Ihr Fahrzeug nicht über diese Anlage, ist ein Spannungsinverter erforderlich, der bei JVC Autoradiohändler erworben werden kann.

- Die Sicherung mit einer der entsprechenden Nennleistung ersetzen. Brennt die Sicherung häufig durch, wenden Sie sich an Ihren JVC Autoradiohändler.
- Sind Störgeräusche ein Problem... Dieses Gerät enthält ein Störfilter im Stromkreis. Bei manchen Fahrzeugen kann jedoch ein Klicken oder andere unerwünschte Störgeräusche auftreten. Sollte das der Fall sein, die hintere Erdungsanschlussschleife (siehe Schaltplan unten) des Geräts am Fahrwerk des Fahrzeuges anschließen, dabei kürzere und dickere Kabel wie beispielsweise Kupfergeflechtdraht oder Stahldraht verwenden. Bleibt Störgeräusch bestehen, wenden Sie sich an Ihren JVC Auto rad iohändler.
- Maximale Eingangsleistung der Lautsprecher muß höher als 40 W hinten und 40 W vorne sein, mit einer Impedanz von 4 bis 8 Ohm. (NUR FÜR KD-SX838R/S737R)
- Maximale Eingangsleistung der Lautsprecher muß höher als 35 W hinten und 35 W vorne sein, mit einer Impedanz von 4 bis 8 Ohm. (NUR FÜR KD-S707R)
- Sicherstellen, daß das Gerät am Fahrwerk geerdet wird. Das Abstrahlblech wird nach dem Gebrauch sehr heiß. Beim Ausbau des Geräts darauf achten, das Abstrahlblech nicht zu berühren.

FRANÇAIS

RACCORDEMENTS ELECTRIQUES

Pour éviter tout court-circuit, nous vous recommandons de débrancher la borne négative de la batterie et d'effectuer tous les raccordements électriques avant d'installer l'appareil. Si l'on n'est pas sûr de pouvoir installer correctement cet appareil, le faire installer par un technicien qualifié.

Remarque:

Cet appareil est conçu pour fonctionner sur des sources de courant continu de 12 volts à masse NEGATIVE. Si votre véhicule n'offre pas ce type d'alimentation, il vous faut un convertisseur de tension, que vous pouvez acheter chez un revendeur d'autoradios JVC.

- Remplacer le fusible par un de la valeur précisée. Si le fusible saute souvent, consulter votre revendeur d'autoradios JVC.
- Si le bruit est un problème... Cet appareil incorpore un filtre de bruit dans le circuit d'alimentation. Cependant, avec certains véhicules, quelques claquements ou autres bruits non désirés risquent de se produire. Si cela arrive, raccorder la borne de masse arrière de l'appareil au châssis de la voiture (voir le schéma de raccordement ci-dessous) en utilisant des cordons les plus gros et les plus courts possibles telle qu'une barre de cuivre ou une tresse. Si le bruit persiste, consulter votre revendeur d'autoradios JVC.
- La puissance admissible des haut-parleurs doit être supérieure à 40 watts à l'arrière et à 40 watts l'avant, avec une impédance de 4 à 8 ohms. (SEULEMENT POUR LES KD-SX838R/S737R)
- La puissance admissible des haut-parleurs doit être supérieure à 35 watts à l'arrière et à 35 watts l'avant, avec une impédance de 4 à 8 ohms. (SEULEMENT POUR LE KD-S707R)
- S'assurer de raccorder la mise à la masse de cet appareil au châssis de la voiture. Le radiateur devient très chaud après usage. Faire attention de ne pas le toucher en retirant cet appareil.

Typical Connections / Typische Anschlüsse / Raccordements typiques

Before connecting: Check the wiring in the vehicle carefully. Incorrect connection may cause serious damage to this unit.

- 1 Connect the colored leads of the power cord to the car battery, speakers and power aerial (if any) in the following sequence.
 - 1 Black: ground
 - 2 Yellow: to car battery (constant 12V)
 - 3 Red: to an accessory terminal
 - 4 Others (except blue with white stripe): to speakers
 - 5 Blue with white stripe: to power aerial
- 2 Connect the antenna cord.
- 3 Finally connect the wiring harness to the unit.

Note: If your vehicle does not have any accessory terminal, move the fuse from the fuse position 1 (initial position) to fuse position 2, and connect the red lead (A7) to the positive (+) battery terminal. • The yellow lead (A4) is not used in this case.

Vor dem Anschließen: Die Verdrahtung im Fahrzeug sorgfältig überprüfen. Falsche Anschlüsse können ernsthafte Schäden am Gerät hervorrufen.

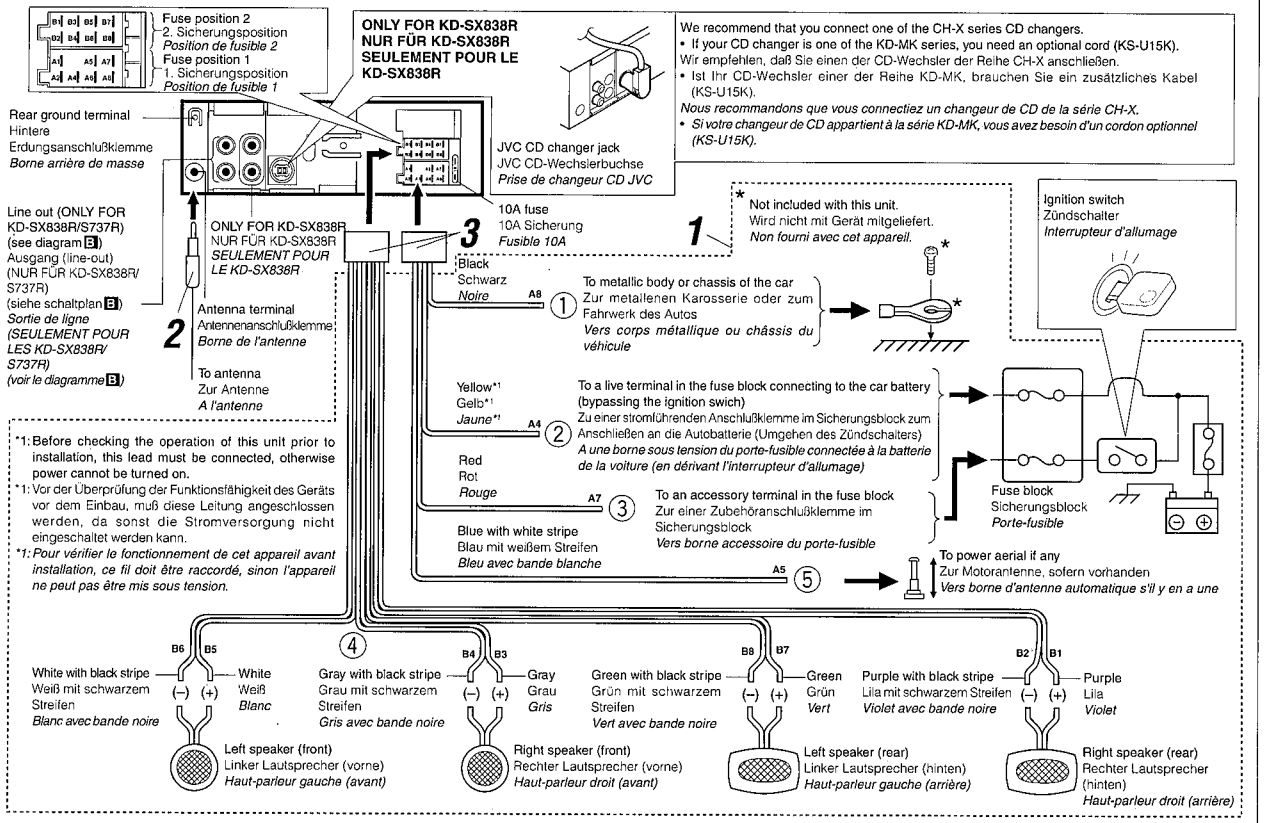
- 1 Die farbigen Leitungen des Netzkabels an der Autobatterie, den Lautsprechern und dem Motorantenne (sofern vorhanden) in folgender Reihenfolge anschließen.
 - 1 Schwarz: Erdung
 - 2 Gelb: an Autobatterie (konstant 12 V)
 - 3 Rot: an Zubehörananschlußklemme
 - 4 Andere (außer blau mit weißem Streifen): an Lautsprecher
 - 5 Blau mit weißem Streifen: an Motorantenne
- 2 Das Antennenkabel anschließen.
- 3 Die Kabelbäume am Gerät anschließen.

Hinweis: Verfügt Ihr Fahrzeug nicht über eine Zubehörananschlußklemme, die Sicherung von der 1. Sicherungsposition (Erstposition) in die 2. Sicherungsposition versetzen, die rote Leitung (A7) an der (+) Batterieanschlußklemme anschließen. • Die gelbe Leitung (A4) wird in diesem Fall nicht verwendet.

Avant de commencer la connexion: vérifiez attentivement le câblage du véhicule. Une connexion incorrecte peut endommager sérieusement l'appareil.

- 1 Connectez les fils de couleur du cordon d'alimentation à la batterie de la voiture, aux enceintes et à l'antenne automatique (s'il y en a une) dans l'ordre suivant.
 - 1 Noir: à la masse
 - 2 Jaune: à la batterie de la voiture (12V constant)
 - 3 Rouge: à la prise accessoire
 - 4 Autres fils à l'exception du fil bleu à bandes blanches: aux enceintes
 - 5 Bleu à bandes blanches: à l'antenne automatique
- 2 Connectez le cordon d'antenne.
- 3 Finalement, connectez le faisceau de fils à l'appareil.

Remarque: Si votre véhicule ne possède pas de borne accessoire, déplacez le fusible de la position de fusible 1 (position originale) à la position de fusible 2 et connectez le fil rouge (A7) à la borne positive (+) de la batterie. • Le fil jaune (A4) n'est pas utilisé dans ce cas.



PRECAUTIONS on power supply and speaker connections:

- DO NOT connect the speaker leads of the power cord to the car battery; otherwise, the unit will be seriously damaged.
- Connect the black lead (ground), yellow lead (to car battery, constant 12V), and red lead (to an accessory terminal) correctly
- BEFORE connecting the speaker leads of the power cord to the speakers, check the speaker wiring in your car.
- If the speaker wiring in your car is as illustrated in Fig. 1 and Fig. 2 below, DO NOT connect the unit using that original speaker wiring. If you do, the unit will be seriously damaged. Redo the speaker wiring so that you can connect the unit to the speakers as illustrated in Fig. 3.
- If the speaker wiring in your car is as illustrated in Fig. 3, you can connect the unit using the original speaker wiring in your car.
- If you are not sure of the speaker wiring of your car, consult your car dealer.

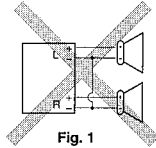


Fig. 1

VORSICHTSMASSREGELN beim Anschließen der Stromversorgung und Lautsprecher:

- Die Lautsprecherleitungen des Netzkabels NICHT an der Autobatterie anschließen, da sonst das Gerät schwer beschädigt wird.
- Die schwarze Leitung (Erdung), die gelbe Leitung (zur Autobatterie, konstant 12 V) und die rote Leitung (zur Zubehörananschlußklemme) richtig anschließen.
- VOR dem Anschließen der Lautsprecherleitungen des Netzkabels an die Lautsprecher, die Lautsprecherverdrahtung in Ihrem Auto überprüfen.
- Ist die Lautsprecherverdrahtung wie unten in "Fig. 1" und "Fig. 2" abgebildet, das Gerät NICHT mit der Originalverdrahtung der Lautsprecher anschließen, da sonst das Gerät schwer beschädigt wird. Die Lautsprecherverdrahtung erneuern, so daß Sie das Gerät an den Lautsprechern wie in "Fig. 3" abgebildet anschließen können.
- Ist die Lautsprecherverdrahtung in Ihrem Auto wie in "Fig. 3" abgebildet, können Sie das Gerät mit der Originalverdrahtung der Lautsprecher in Ihrem Auto anschließen.
- Sind Sie sich über die Lautsprecherverdrahtung in Ihrem Auto nicht sicher, wenden Sie sich an Ihren Autohändler.

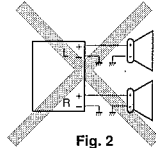


Fig. 2

PRECAUTIONS sur l'alimentation et la connexion des enceintes:

- NE CONNECTEZ PAS les fils d'enceintes du cordon d'alimentation à la batterie; sinon, l'appareil serait sérieusement endommagé.
- Connectez correctement le fil noir (à la masse), le fil jaune (à la batterie de la voiture, 12V constant) et le fil rouge (à la prise accessoire).
- AVANT de connecter les fils d'enceintes du cordon d'alimentation aux enceintes, vérifiez le câblage des enceintes de votre voiture.
- Si le câblage des enceintes de votre voiture est réalisé comme montré sur la Fig. 1 ou Fig. 2 ci-dessous, NE CONNECTEZ PAS l'appareil en utilisant ce câblage original d'enceintes. Si vous le faites, l'appareil sera sérieusement endommagé. Recommencez le câblage des enceintes de façon que vous puissiez connecter l'appareil aux enceintes comme montré sur la Fig. 3.
- Si le câblage des enceintes de votre voiture est comme montré sur la Fig. 3, vous pouvez connecter l'appareil en utilisant ce câblage original d'enceintes pour votre voiture.
- Si vous n'êtes pas sûrs du câblage d'enceintes de votre voiture, consultez le concessionnaire de votre voiture.

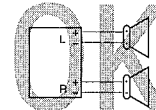
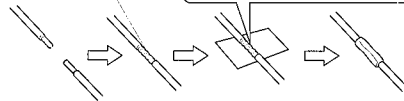


Fig. 3

Connecting the leads / Anschließen der Leitungen / Raccordement des fils

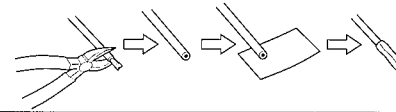
Twist the core wires when connecting.
Die Kerndrähte beim Anschließen verdrehen.
Torsader les âmes des fils en les raccordant.



Solder the core wires to connect them securely.
Die Kerndrähte anlöten, um sie fest anzuschließen.
Souder les âmes des fils pour les raccorder entre eux de façon sûre.

CAUTION / VORSICHT/ PRECAUTION:

- To prevent short-circuit, cover the terminals of the UNUSED leads with insulating tape.
- Zur Vermeidung eines Kurzschlusses die Anschlußklemmen der NICHT VERWENDETEN Leitungen mit Isolierklebeband umwickeln.
- Pour éviter les court-circuits, couvrir les bornes des fils qui ne sont PAS utilisés avec de la bande isolante



B Connections Adding Other Equipment / Anschlüsse zum Hinzufügen von anderer Ausrüstung / Raccordement pour ajouter d'autres appareils

Since this unit has line-out terminals, an amplifier and other equipment can be used to upgrade your car stereo system.

- Connect the remote lead (blue with white stripe) to the remote lead of the other equipment so that power can be supplied through this unit.
- For amplifier only:
 - Connect this unit's line-out terminals to the amplifier's line-in terminals.
 - Disconnect the speakers from this unit, connect them to the amplifier. Leave the speaker leads of this unit unused. (Cover the terminals of these unused leads with insulating tape, as illustrated above.)

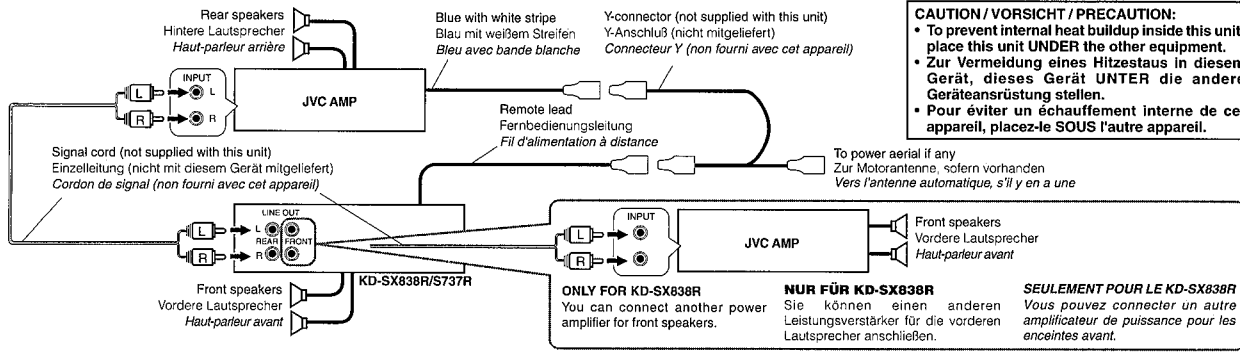
Da dieses Gerät Anschlußklemmen am Ausgang (line-out) hat, können ein Verstärker und andere Ausrüstung zur Aufwertung Ihrer Autostereoanlage verwendet werden.

- Die Fernbedienungsleitung (blau mit weißem Streifen) an der Fernbedienungsleitung der anderen Ausrüstung anschließen, damit sie mit Strom über das Gerät versorgt wird.
- Nur für den Verstärker:
 - Die Anschlußklemmen am Ausgang (line-out) dieses Gerät an den Anschlußklemmen des Ausgangs (line-out) des Verstärkers anschließen.
 - Die Lautsprecher von diesem Gerät abtrennen und am Verstärker anschließen. Die Lautsprecherleitungen dieses Geräts unbenutzt lassen. (Die Anschlußklemmen dieser nicht verwendeten Leitungen mit Isolierband umwickeln, siehe Abb. oben.)

Comme cet appareil a des bornes de sortie de ligne, un amplificateur et d'autres appareils peuvent être utilisés pour améliorer votre chaîne stéréo automobile.

- Connecter le fil d'alimentation à distance (bleu avec des bandes blanches) au fil d'alimentation à distance de l'autre appareil de façon qu'il puisse être alimenté par cet appareil.
- Pour l'amplificateur seulement:
 - Raccorder les bornes de sortie ligne de cet appareil aux bornes d'entrée ligne de l'amplificateur.
 - Déconnectez les enceintes de cet appareil et connectez-les à l'amplificateur. Laissez les fils d'enceintes de cet appareil inutilisés. (Recouvrir les extrémités de ces fils inutilisés avec de la bande isolante comme montré ci-dessus.)

Amplifier / Verstärker / Amplificateur



TROUBLESHOOTING

- The fuse blows.
 - * Are the red and black leads connected correctly?
- Power cannot be turned on.
 - * Is the yellow lead connected?
- No sound from the speakers.
 - * Is the speaker output lead short-circuited?
- Sound is distorted.
 - * Is the speaker output lead grounded?
 - * Are the "-" terminals of L and R speakers grounded in common?
- Unit becomes hot.
 - * Is the speaker output lead grounded?
 - * Are the "-" terminals of L and R speakers grounded in common?

FEHLERSUCHE

- Die Sicherung brennt durch.
 - * Sind die roten und schwarzen Leitungen richtig angeschlossen?
- Stromversorgung kann nicht eingeschaltet werden.
 - * Ist die gelbe Leitung angeschlossen?
- Kein Ton aus den Lautsprechern.
 - * Ist die Lautsprecherausgangsleitung kurzgeschlossen?
- Ton verzerrt.
 - * Ist die Lautsprecherausgangsleitung geerdet?
 - * Sind die (-) Anschlußklemmen der linken und rechten Lautsprecher zusammen geerdet?
- Gerät wird heiß.
 - * Ist die Lautsprecherausgangsleitung geerdet?
 - * Sind die (-) Anschlußklemmen der linken und rechten Lautsprecher zusammen geerdet?

EN CAS DE DIFFICULTÉS

- Le fusible saute.
 - * Les fils rouge et noir sont-ils raccordés correctement?
- L'appareil ne peut pas être mise sous tension.
 - * Le fil jaune est-elle raccordée?
- Pas de son des haut-parleurs.
 - * Le fil de sortie de haut-parleur est-il court-circuité?
- Le son est déformé.
 - * Le fil de sortie de haut-parleur est-il à la masse?
 - * Les bornes "-" des haut-parleurs gauche et droit sont-elles mises ensemble à la masse?
- L'appareil devient chaud.
 - * Le fil de sortie de haut-parleur est-il à la masse?
 - * Les bornes "-" des haut-parleurs gauche et droit sont-elles mises ensemble à la masse?

<<MEMO>>

Discription of Major ICs

■ IC601: LC75823(CPU) Terminal's Function Table

1. Terminal Function

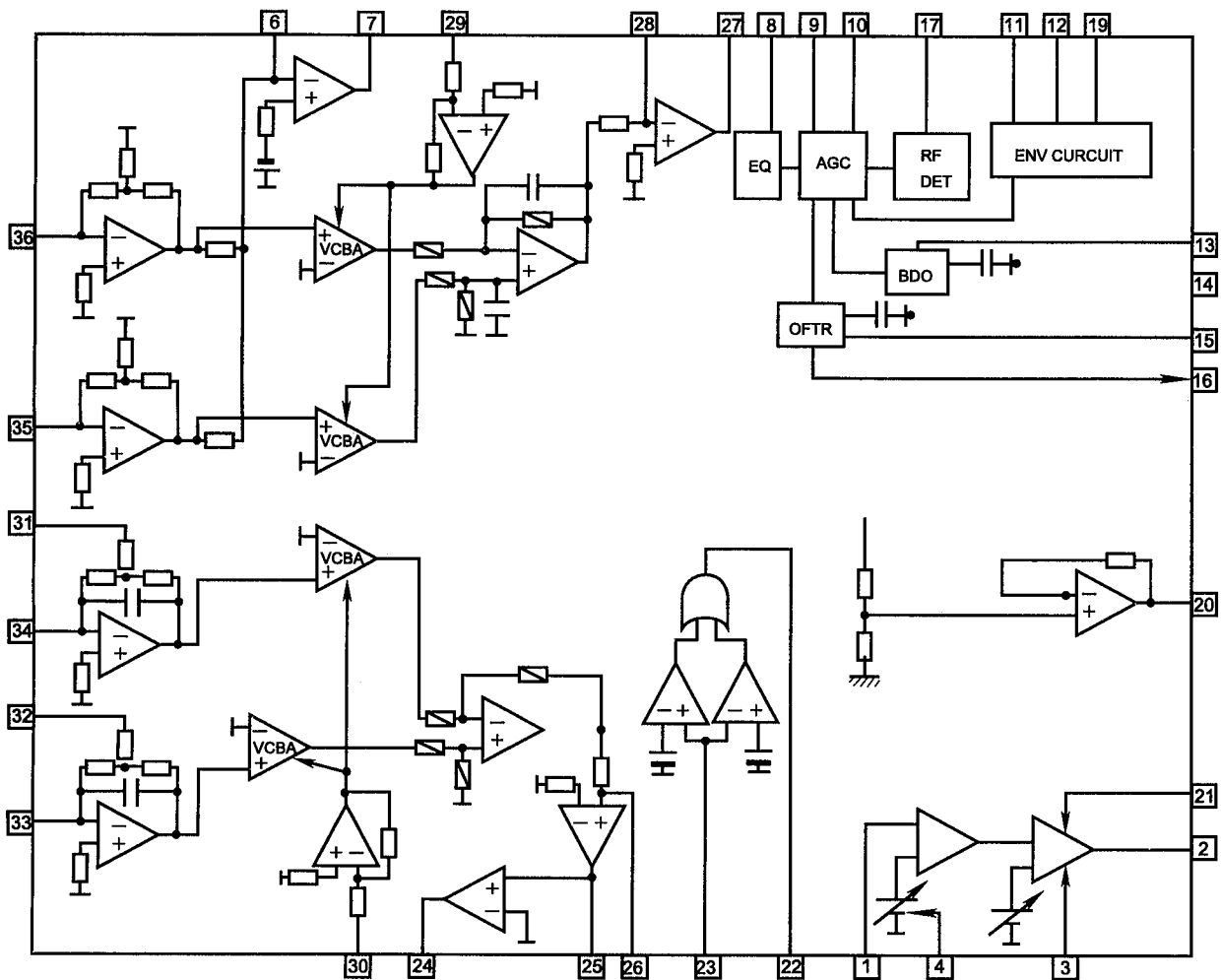
Pin No.	Symbol	I/O	Function	Pin No.	Symbol	I/O	Function
1	KEY0	I	KEY AD input pin 0	41	LCD-DA	O	Data output for LCD Driver
2	KEY1	I	KEY AD input pin 1	42	LCD-SCK	O	Clock output for LCD Driver
3	KEY2	I	KEY AD input pin 2	43	STAGE1	I	Inialization of KEY input select L:set H: Line
4	LEVEL	I	Level meter input	44	STAGE2	I	Inialization of Model select L:S737R/707R H: S838R
5	SM	I	S.meter level input	45	12C-CLK	O	Chenger control clock output
6	SQ	I	S.Quality level input	46	12C-DAO	O	Changer control data output
7	SUBQ	I	CD Lsi Sub-code Q-codedata input (to IC651 pin14)	47	12C-DAI	I	Changer control data input
8	NC	-	Non connection	48	FM/AM	O	FM/AM select output L:FM H:AM
9	SQCK	O	CD Lsi Sub-code clock	49	POWER	O	Power on/off control Power ON: H
10	NC	O	Non connection	50	PS1	I	Power save1, Syncro to Acc L: Power save H: Move
11	BUS-I/O	O	J-Bus I/O select H: OUT L: IN	51	TEL-MUTE	I	Telephone mute detect input
12	BUS-SI	O	J-Bus Data input	52	DETACH	I	Detach signal input. Move mode: more than 200mces (L)
13	BUS-SO	O	J-Bus Data output	53	LCI-RESET	O	CD Lsi reset signal
14	BUS-SCK	I/O	J-Bus Clock input/output	54	STAT	I	Statas signal input
15	MUTE	O	Mute output L: Mute ON	55	T-LOCK	I	Tracking clock signal input Active :L
16	LM1	O	Loading motor control signal output (FWD)	56	F-LOCK	I	Focus clock signal input Active :L
17	LM0	O	Loading motor control signal output (REW)	57	SENCE	I	Sense signal input
18	CH-ILL	O	LED indicaton output of CD changer L: CDChan. mode	58	MLD	O	Micon command load signal output
19	TU-ILL	O	LED indication output of Tuner L: tuner mode	59	BEEP	O	Buzzer output
20	CD-ILL	O	LED indication output of CD L: CD mode	60	INLOCK	O	Tuner lock detect output H: Lock
21	GNDPORT	-	Port for GND	61	MDATA	O	Micon command data Non connection
22	VDDPORT	-	Port for Vdd	62	MCLK	O	Micon command clock signal output
23	NC	O	Non connection	63	SW2	I	Disc in detecting switch input. (12cm disc detect)
24	AFCK	O	AM tuner theckoutput L: AF check	64	SW3	I	Disc existence detecting switch input (Loading finish detect)
25	MONO	O	MONO on/off select H: Mono ON	65	SW4	I	Detecting switch input of 8cm disc iject
26	LOCAL	O	Local on/off select H: Local ON	66	RST-SW	I	Rest switch input
27	SEEK/STP	O	Autoseek/Stop select H: Seek L: Stop	67	STAGE3	I	Model control H:737R Non connection
28	NC	-	Non connection	68	PS2	I	Power save1, Syncro to Acc L: Power save H: Move
29	IFC	I	FM/AM IFcounter input	69	RDS-SCK	I	RDS clock signal input
30	VDDPLL	-	Vdd of PLL	70	REMOCON	I	Remortcontrol signal input
31	OSC	I	FM/AM Local oscillator signal input	71	BLKCK	I	Sub-code.block clock signal input
32	NC	I	Non connection	72	SW1	I	Disc in detecting switch input. (8cm disc detect)
33	GNDPLL	-	GND	73	BUS-INT	I	J-Bus signal Interruption input
34	AMEO	O	Error output of AM	74	REG-CPU	I	CPU power supply regullatoer
35	FMEO	-	Error output of FM	75	GND	-	GND
36	IC	-	GND	76	X2	-	System clock oscillator
37	SD/ST	I	Station detection L: Stereo H: Found	77	X1	I	System clock oscillator
38	RSDSA	I	RDS data input	78	REGOSC	-	Regullator of oscllator circuit
39	CD-ON	O	CD power supply control H: CD	79	VDD	-	Vdd
40	LCD-CE	O	LCD driver chip enable output	80	NC	-	Pull up

■ AN8806SB(IC501): RF & Servo amp

1. Terminal

PD 1	36 PDAC
LD 2	35 PDBD
LDON 3	34 PDF
LDP 4	33 PDE
VCC 5	32 PDER
RF- 6	31 PDFR
RF OUT 7	30 TBAL
RF IN 8	29 FBAL
C.AGC 9	28 EF-
ARF 10	27 EF OUT
C.ENV 11	26 TE-
C.EA 12	25 TE OUT
CS BDO 13	24 CROSS
BDO 14	23 TE BPF
CS BRT 15	22 VDET
OFTR 16	21 LD OFF
/NRFD 17	20 VREF
GND 18	19 ENV

2. Block



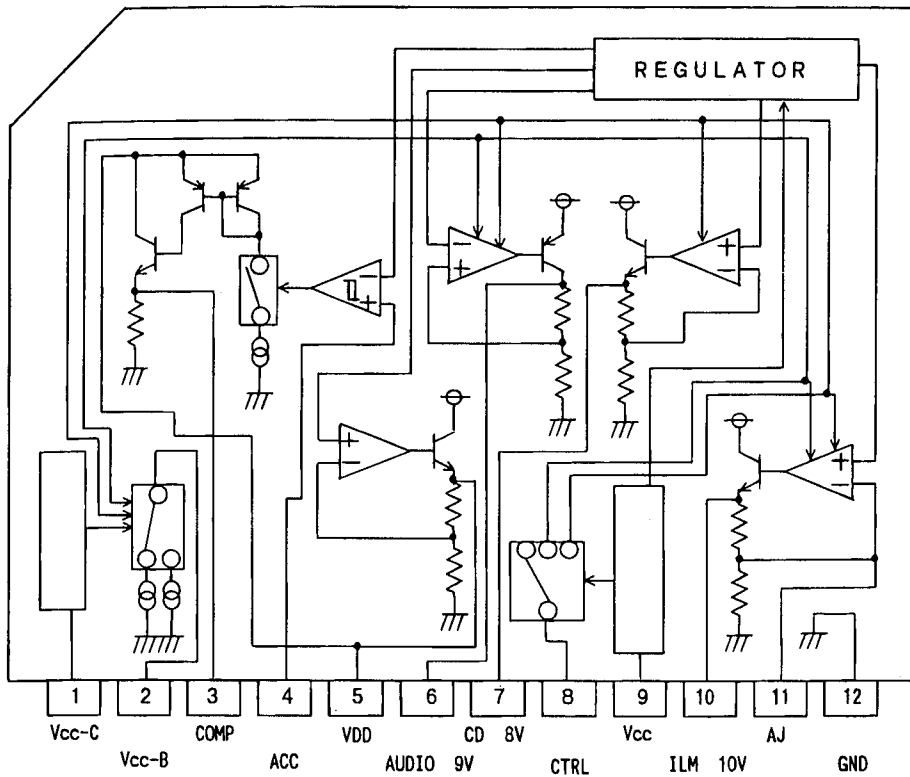
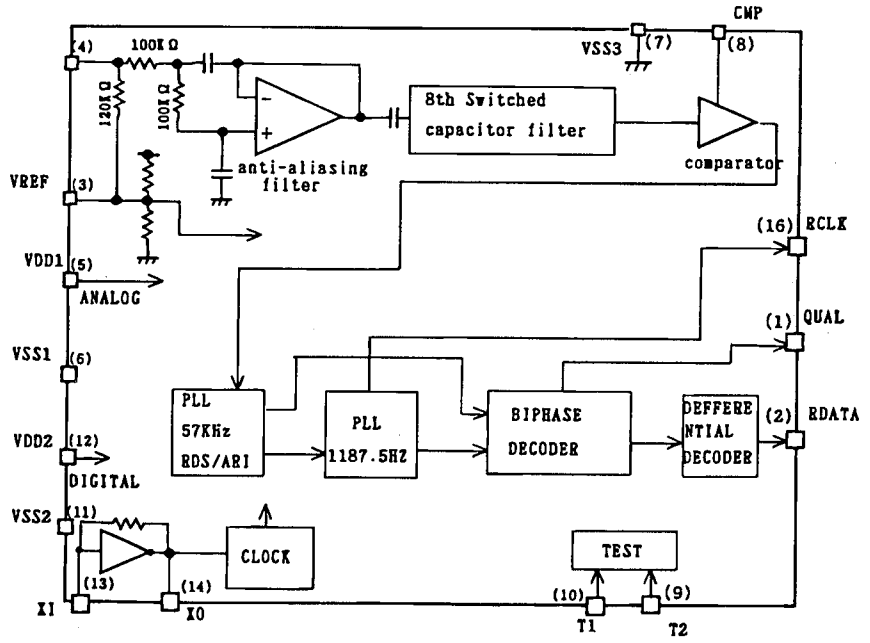
3. Functions

Pin No.	Symbol	I/O	Functions and operations
1	PD	I	APC amp input terminal
2	LD	O	APC amp output terminal
3	LD ON	I	APC ON/OFF control terminal
4	LDP	--	Connect to ground
5	VCC	--	Power supply
6	RF-	I	Inverse input pin for RF amp
7	RF OUT	O	RFamp output
8	RF IN	I	RF input
9	C.AGC	I/O	Connecting pin of AGC loop filter
10	ARF	O	RF output
11	C.ENV	I/O	A capacitor is connected to this terminal to detect the envelope of RF signal
12	C.EA	I/O	A capacitor is connected to this terminal to detect the envelope of RF signal
13	CS BDO	I/O	A capacitor is connected to detect the lower envelope of RF signal
14	BDO	O	BDO output pin
15	CS BRT	I/O	A capacitor is connected to detect the lower envelope of RF signal
16	OFTR	O	Of-track status signal output
17	/NRFDET	O	RF detection signal output
18	GND	--	Ground
19	ENV	O	Envelope output
20	VREF	O	Reference voltage output
21	LD OFF	--	Connect to ground
22	VDET	O	Vibration detection signal output
23	TE BPF	I	Input pin of tracking error through BPF
24	CROSS	O	Tracking error cross output
25	TE OUT	O	Tracking error signal output
26	TE-	I	Inverse input pin for tracking error amp
27	FE OUT	O	Output pin of focus error
28	FE-	I	Inverse input pin for focus error amp
29	FBAL	I	Focus balance control
30	TBAL	I	Tracking balance control
31	PDFR	I/O	F I-V amp gain control
32	PDER	I/O	E I-V amp gain control
33	PDF	I	I-V amp input
34	PDE	I	I-V amp input
35	PD BD	I	I-V amp input
36	PD AC	I	I-V amp input

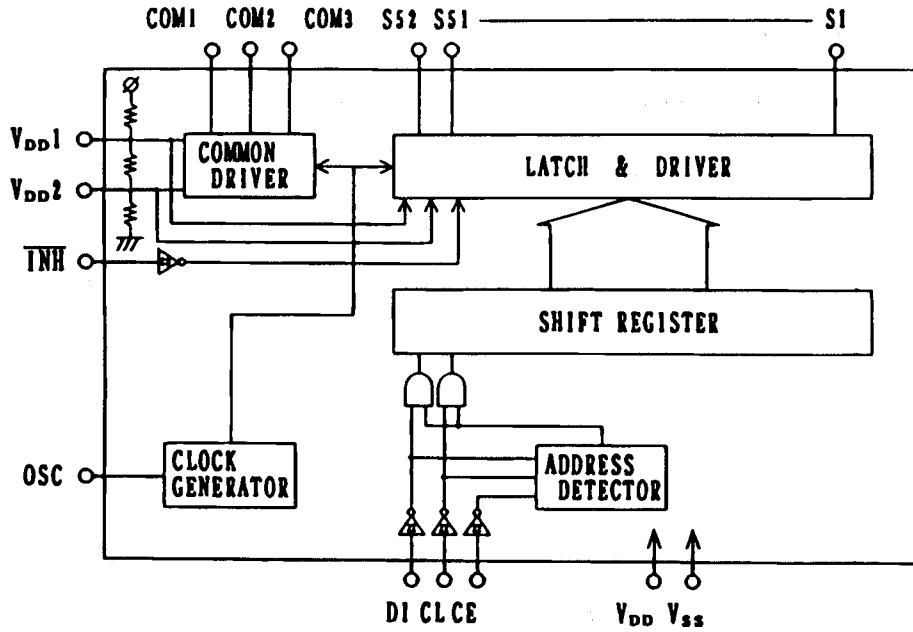
■ BU1923F-X(IC761) :

1. 外觀圖

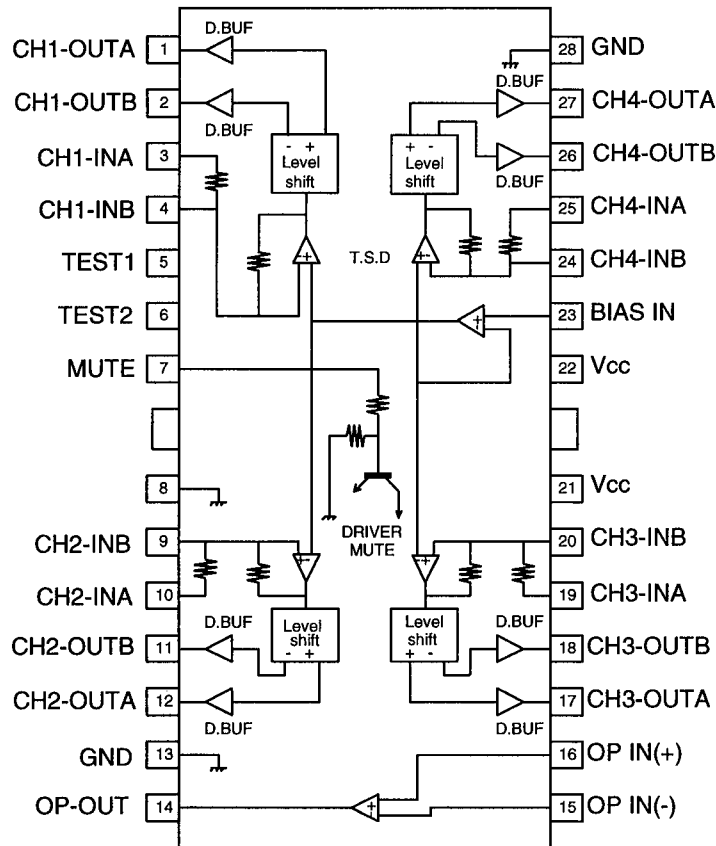
QUAL	1	16	RCKL
RDATA	2	15	NC
VREF	3	14	XO
MUX	4	13	XI
VDD1	5	12	VDD2
VSS1	6	11	VSS2
VSS3	7	10	T1
CMP	8	9	T2



■ IC601: LC75823E (LCD DRIVER)



■ BA6898FP(IC561) 4channel driver

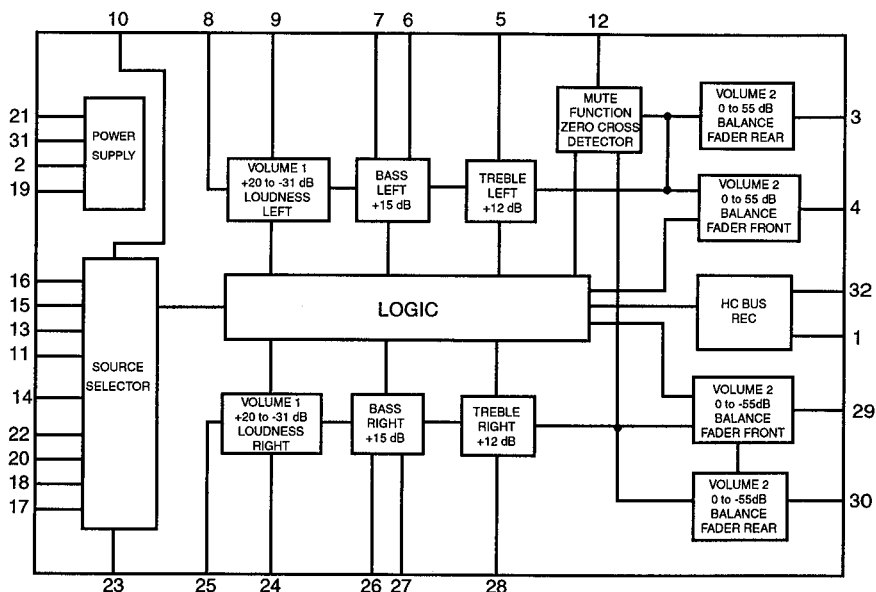


TEA6320T (1C911) : E. VOLUME

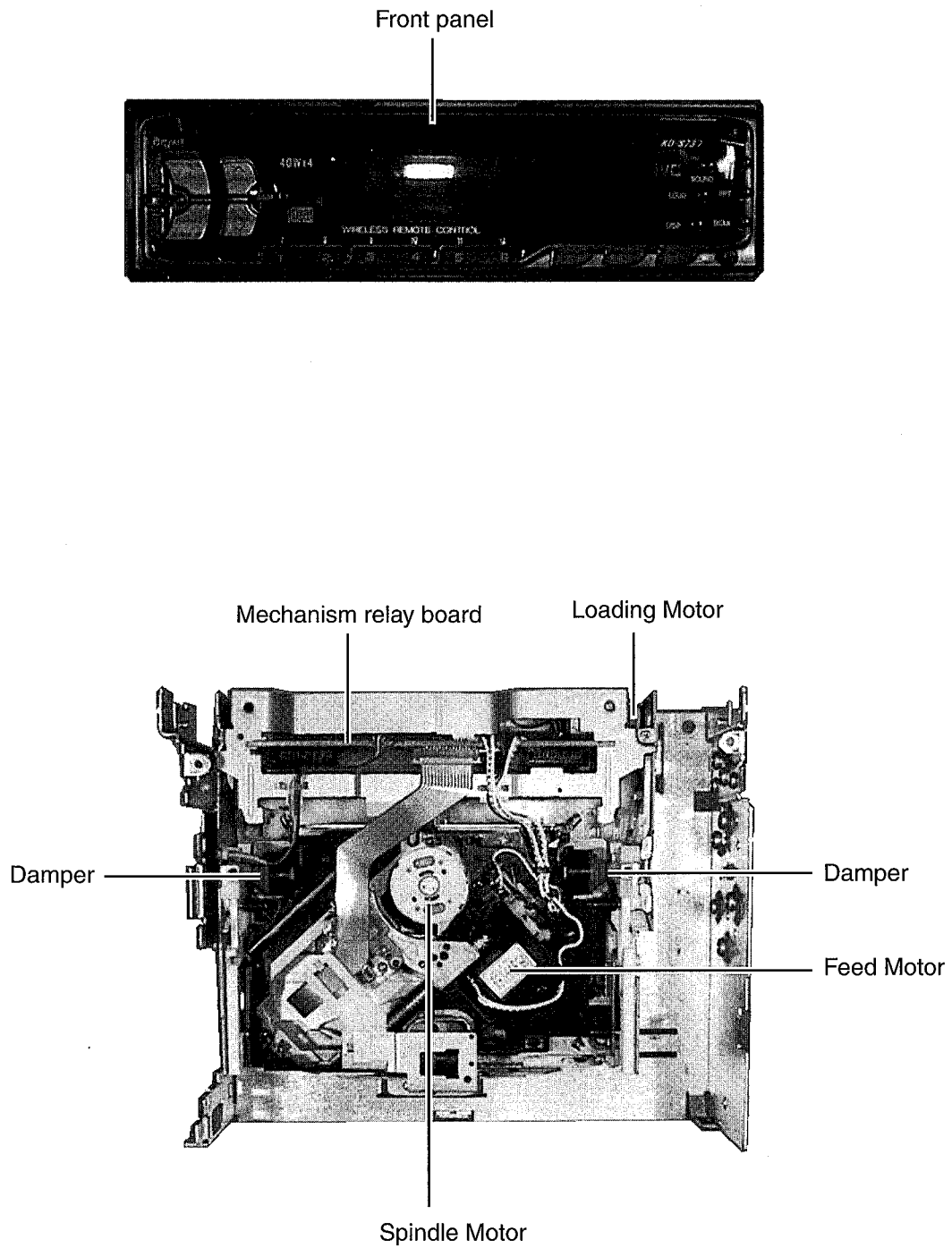
1. Terminal Layout

SDA	1		32	SCL
GND	2		31	VCC
OUTLR	3		30	OUTRR
OUTLF	4		29	OUTRF
TL	5		28	TR
B2L	6		27	B2R
B1L	7		26	B1R
IVL	8		25	IVR
ILL	9		24	ILR
QSL	10		23	QSR
IDL	11		22	IDR
MUTE	12		21	Vref
ICL	13	CD-CH	20	ICR
IMD	14		19	CAP
IBL	15	TUNER	18	IBR
IAL	16	CD	17	IAR

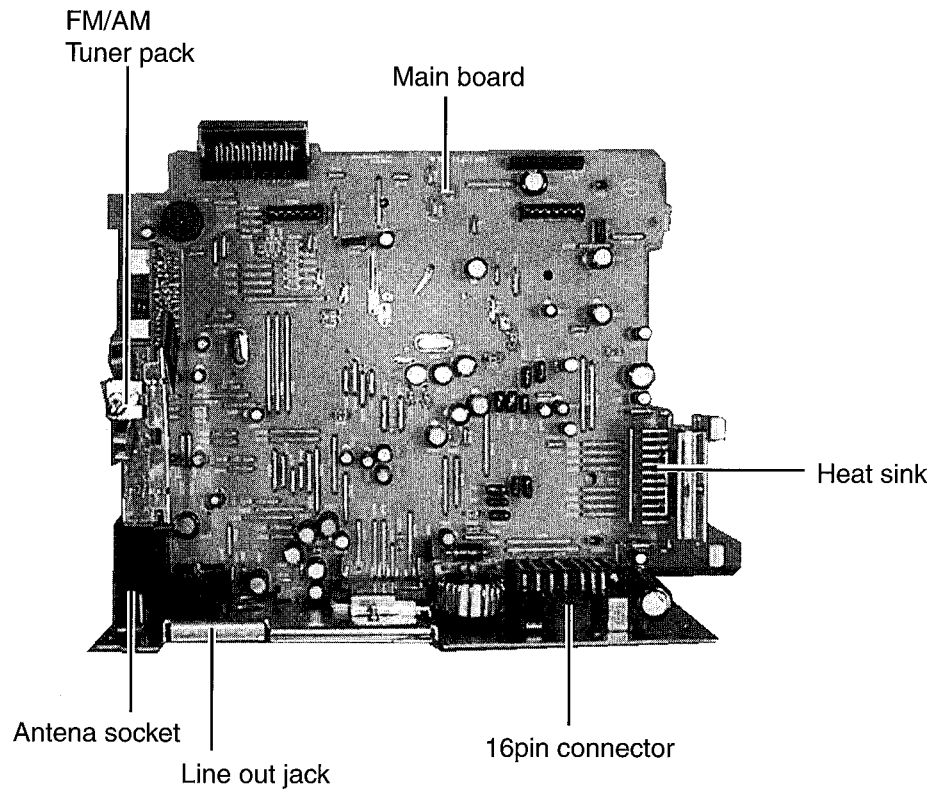
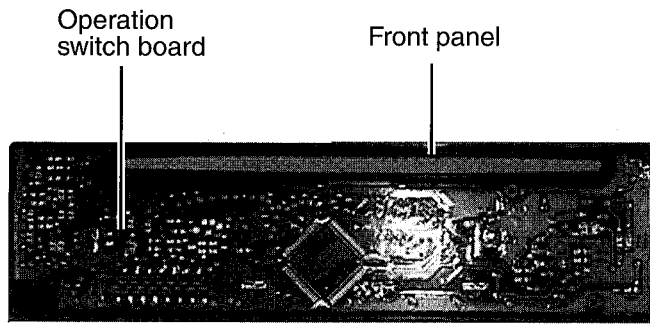
2. Block Diagram



Location of Main Parts



Location of Main Parts



Removal of Main Parts

- Detaching the front Panel Unit
 (See Fig-1)
 De press the release button in the direction shown to detach the front panel unit .

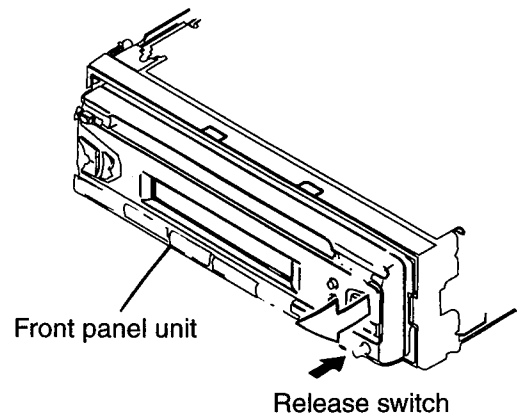


Fig.1

- Removing the front chassis
 (See Fig.2)
 1.Release the two catch on the right side of unit and pull the front chassis foward to remove it.
 2.Release the two catch on the left side of unit and pull the front chassis forward to remove it.

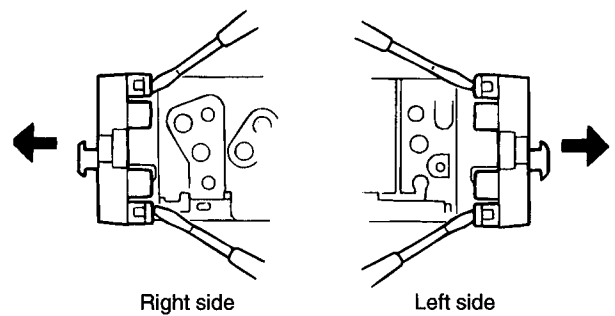


Fig.2

- Removing the heat sink
 (See Fig.3)
 1.Locate the heat sink side of the unit .
 2.Remove three screws ① retaining the heat sink.

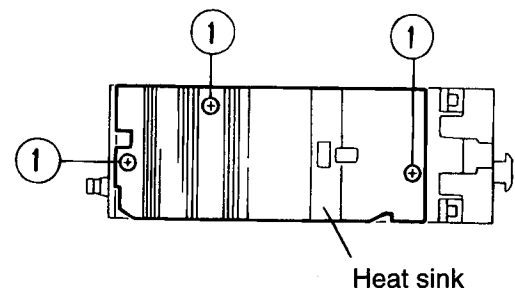


Fig.2

- Removing the bottom cover
 (See Fig.4)
 Turn the unit upside down then insert and twist the screw driver to remove the bottom cover.

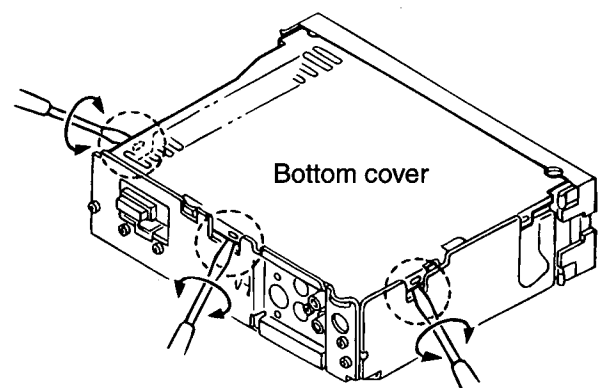


Fig.4

■ Removing the main board

(See Fig.5, Fig.6)

1. Remove two screws ② retaining the main board.
2. Locate rear side of unit.
3. Remove the three screws ③ retaining the rear bracket.
4. Lift up the main board to remove it, at this time remove the connections CN501 and CN502 connecting the main board and CD mechanism assembly.

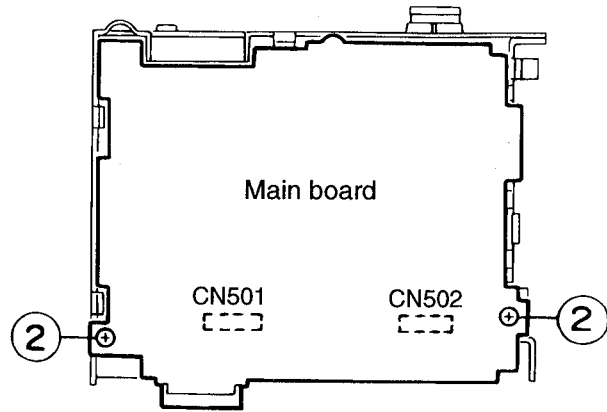


Fig.5

■ Removing the CD mechanism assembly

(See Fig.7)

- Remove three screws ④ retaining the CD mechanism assembly from the top cover.

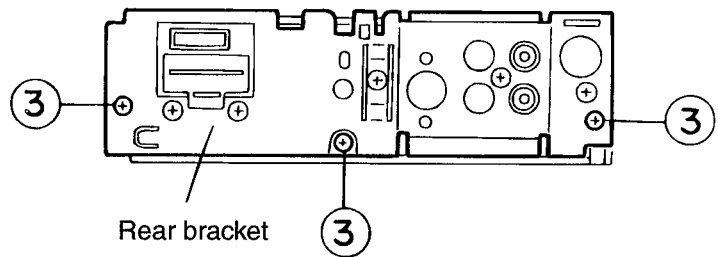


Fig.6

■ Removing the operation switch board

(See Fig.8, Fig.9)

1. Locate the rear side of the front panel unit.
2. Remove four screws ⑤ retaining the rear cover.
3. Remove the operation switch board off on the front Panel.

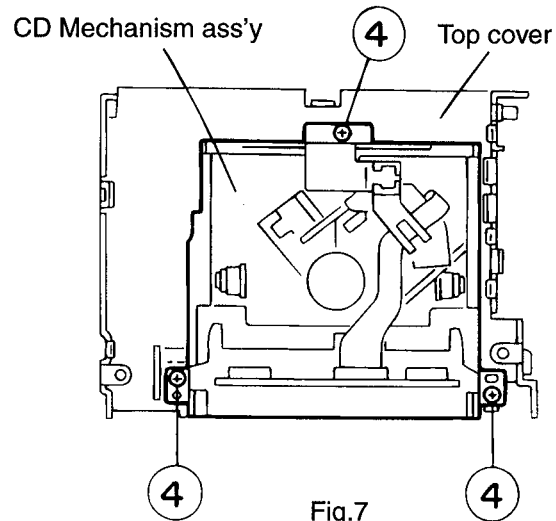


Fig.7

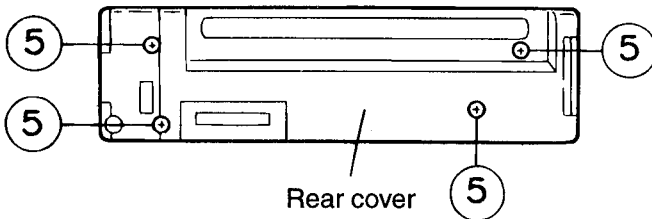


Fig.8

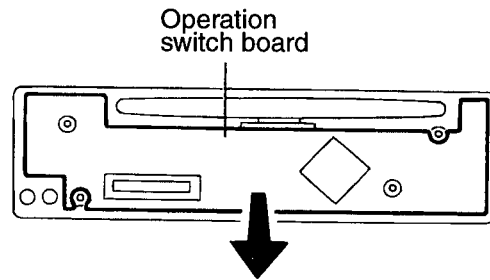


Fig.9

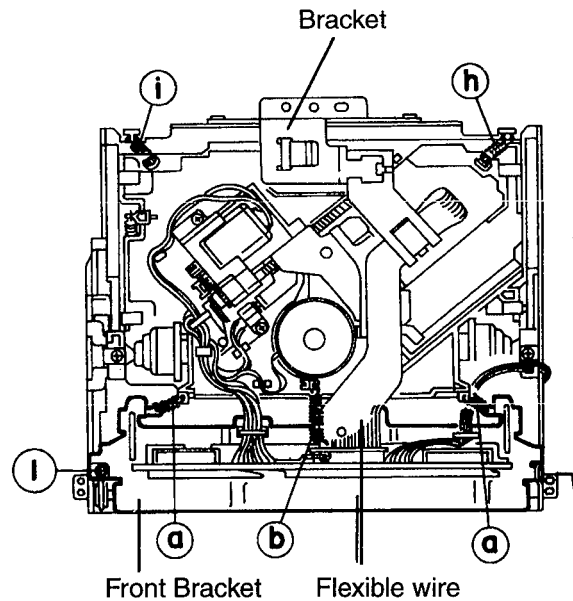


Fig.10

[CD Mechanism Section]

■ Removing the CD mechanism control P.C.board

- 1.Remove the CD mechanism assembly (See "Removing the CD mechanism assembly").
- 2.Remove the three springs (a) and (b) from behind the CD mechanism assembly(See Fig.10).
- 3.Disconnect the flexible wire connected to the connector on the CD mechanism control P.C.board (See Fig.10).
- 4.Remove the one screw (2) retaining the CD mechanism control P.C.board(See Fig. 11).
5. After disengaging the engagement between the notch section (c) and frame,remove the CD mechanism Control P.C .board successively from (1) through to (3) in the arrow direction as shown in Fig. 11.

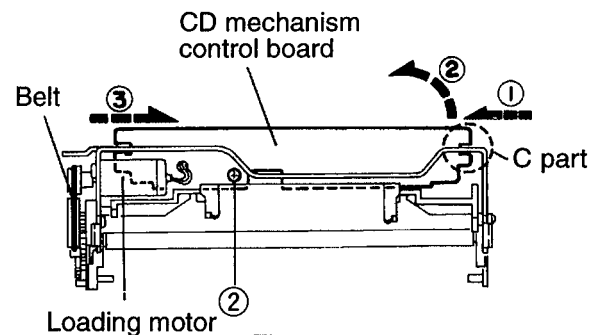


Fig.11

CAUTION:Whenever the flexible wire is disconnected, be sure to remove the soldering in advance as shown in Fig.12. Otherwise , the CD mechanism assembly can possibly be damaged.

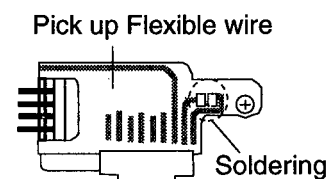


Fig.12

- 6.Remove the two screws (1) retaining the front bracket for fixing the CD mechanism control P. C. board(See Fig.10 or 13).

CAUTION:Remove the front bracket from the frame while expanding both sides of the frame as shown in Fig.14

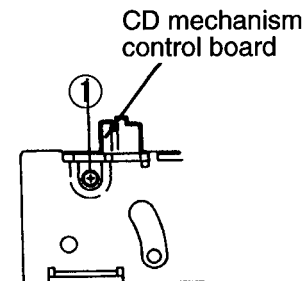


Fig.13

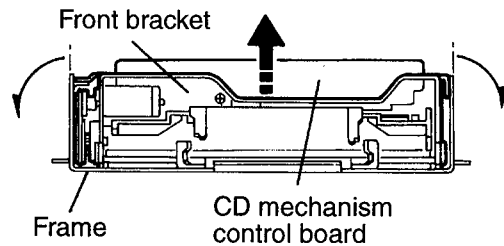


Fig.14

■ Removing the loading motor

- 1.Remove the belt from the loading motor (See Fig.14 and Fig.15)
- 2.Remove the one screw ③ retaining the loading motor(See Fig.15)

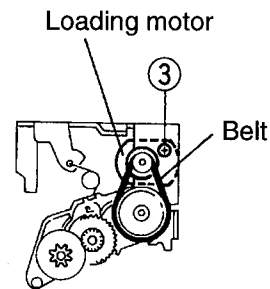


Fig.15

■ Removing the CD mechanism assembly

- 1.Remove the two screws ④ retaining the bracket for fixing the damper(See Fig.16)
- 2.When shining the fix plate on the right and left Sides respectively to the arrow direction, lower the entire CD mechanism. When the shafts(④ , ⑤ , ⑥ and ⑦) on both the right and left sides have been set free as shown in Fig.17 and Fig.18,then the assembly can be removed easily.Remove the two screws ⑤ retaining the rear damper bracket to make it easier to remove the damper from the rear damper bracket(See Fig.10, Fig.17 and Fig.18).
- 3.Remove the two springs ⑧ and ⑨ as shown in Fig.10 and Fig 16.
- 4.While removing the right and left sides of the rear damper brackets and dampers While expanding both sides of the CD mechanism,disassemble the entire CD mechanism.

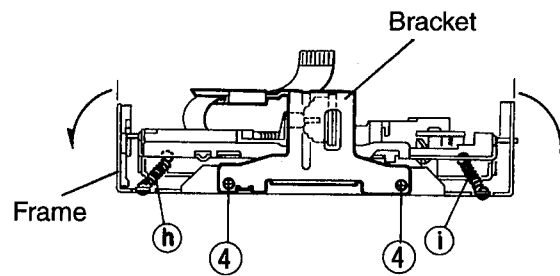


Fig.16

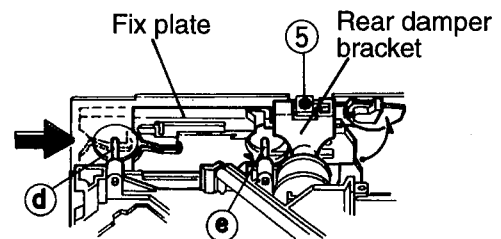


Fig.17

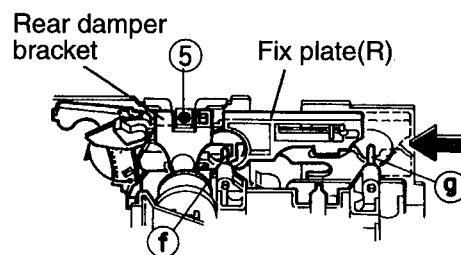


Fig.18

5. While tuning the pickup gear in the arrow direction as shown in Fig.20, shift the entire pickup unit.
6. Remove the three screws ⑥ retaining the feed motor assembly and take out this motor assembly (See Fig.19).
7. While pressing and expanding the spring section holding the FD screw in the arrow direction, remove the FD screw and dismount the pickup unit (See Fig.21).
8. By removing the two screw ⑦ retaining the pickup unit, dismount the nut push spring plate and pickup mount nut (See Fig.22).
9. Remove the FD screw from the pickup unit (See Fig.22).

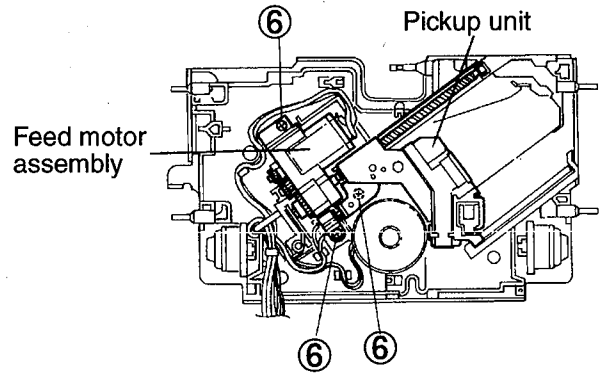


Fig.19

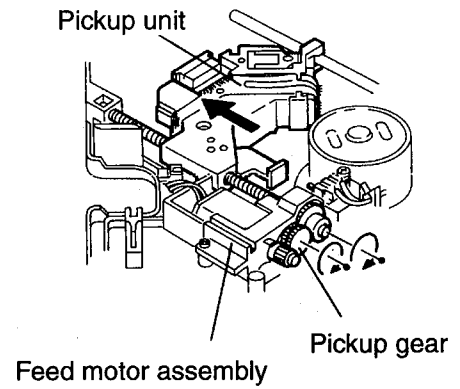


Fig.20

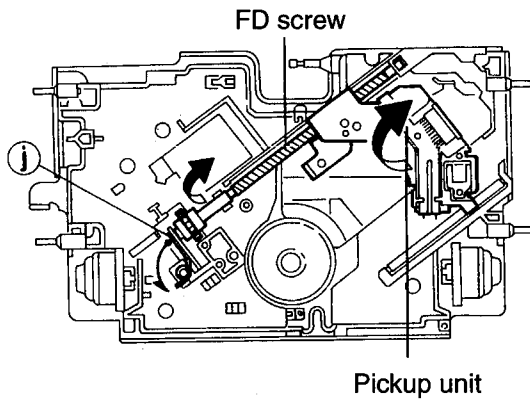


Fig.21

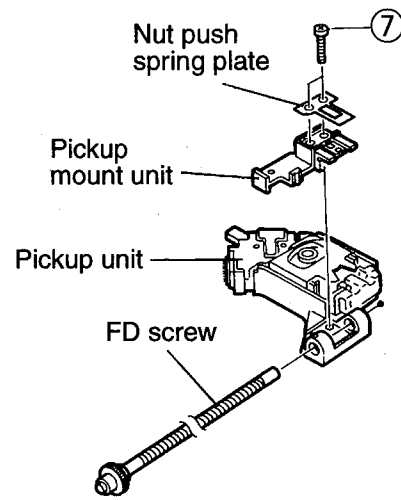
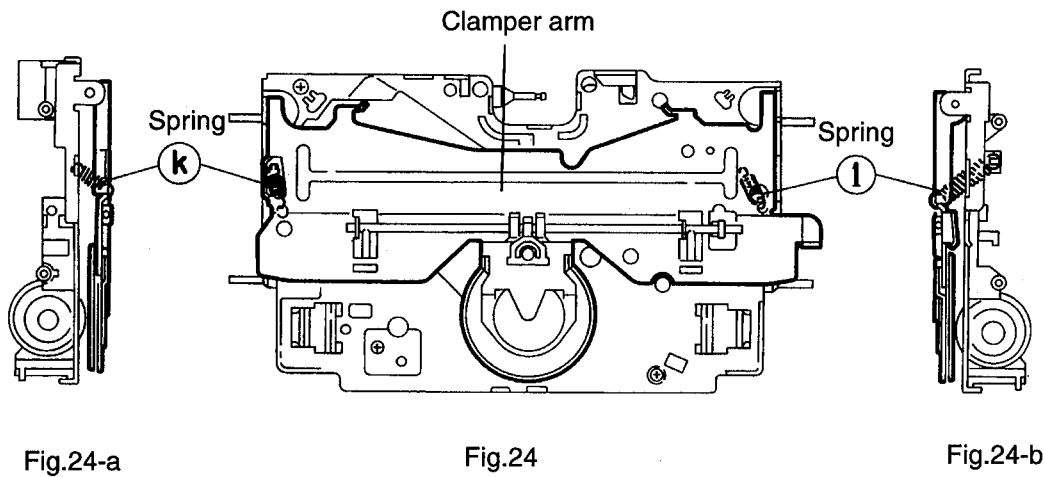
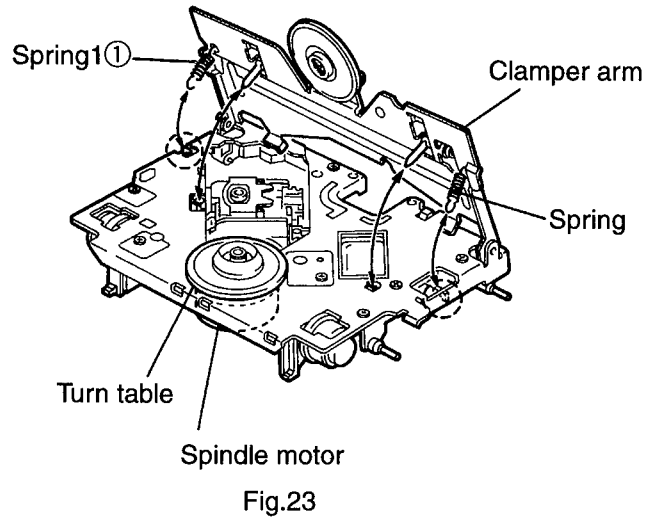


Fig.22



■ Removing the spindle motor

1. After turning back the CD mechanism to initial position, remove the two springs ① and ① on both the right and left sides of the clamper arm (See Fig.23 and Fig.24).
2. While turning the turn table, remove the two screws ⑧ retaining the spindle motor and take out the spindle motor (See Fig.25).

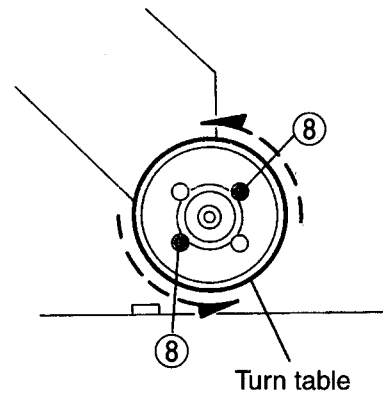


Fig.25

Main Adjustment

■ Test Instruments required for adjustment

1. Digital oscilloscope (100MHz)
2. AM Standard signal generator
3. FM Standard signal generator
4. Stereo modulator
5. Electric voltmeter
6. Digital tester
7. Tracking offset meter
8. Test Disc JVC :CTS1000
9. Extension cable for check
EXTGS003-14P × 2

■ Standard volume position

Balance and Bass & Treble volume : Indication "0"
 Loudness : Off

Setting of reference frequency of SSG

AM mode: 600kHz/62dB-INT/400Hz, 30% modulation
 Signal on

FM mode: 97.9MHz/66dB-INT/400Hz/22.5kHz deviation
 pilot 7.5kHz dev.

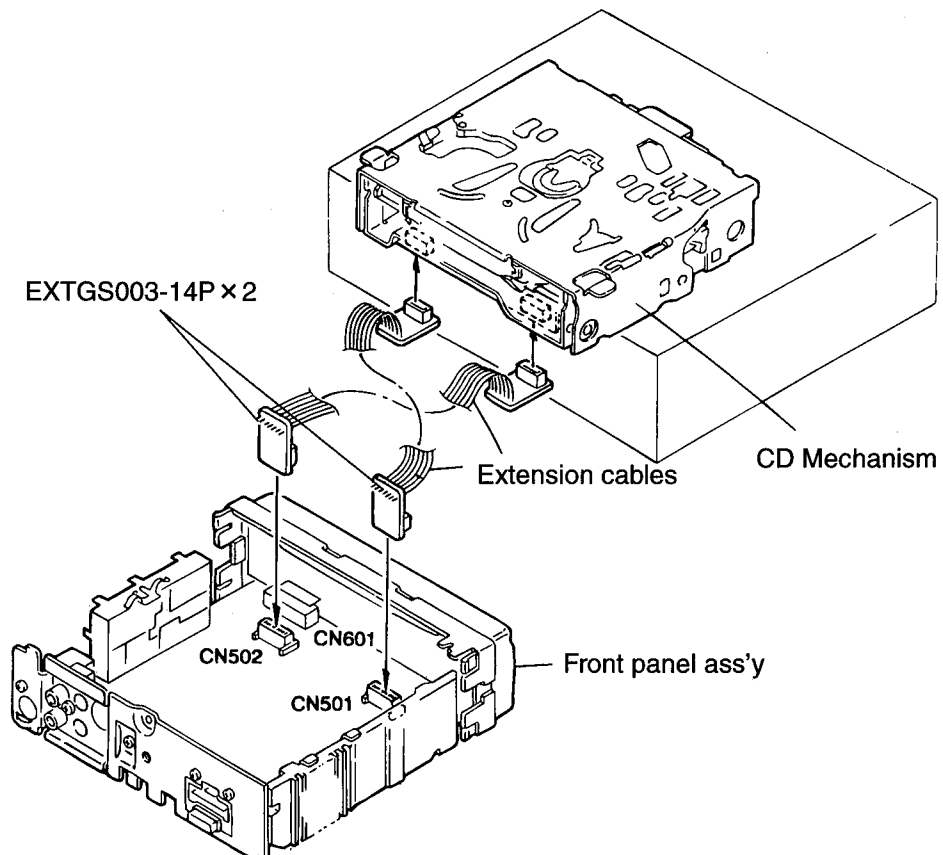
Dummy load

Exclusive dummy load should be used for AM, and FM. For FM dummy load, there is a loss of 6dB between SSG output and antenna input. The loss of 6dB need not be considered since direct reading of figures are applied in this working standard.

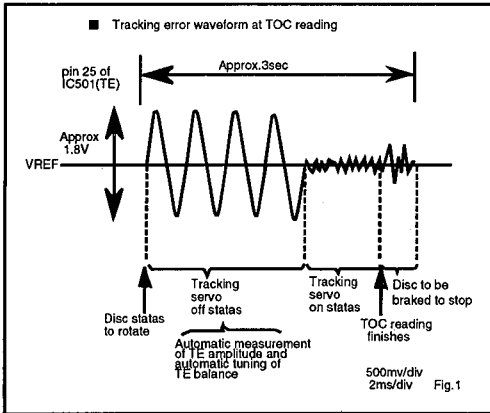
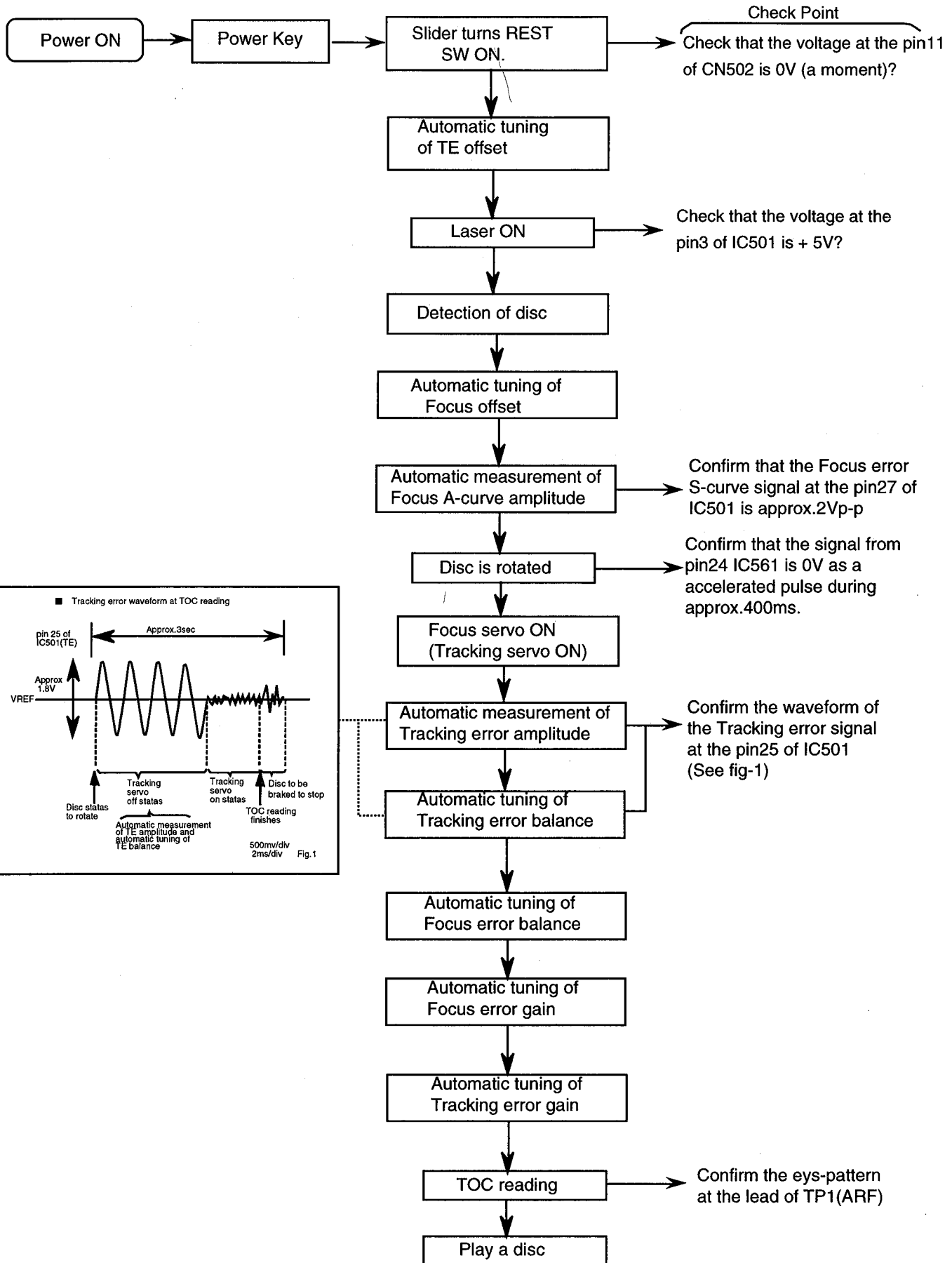
■ Standard measuring conditions

Power supply voltage DC14.4V(10.5~16V)
 Load impedance 4Ω (2 Speakers connection)
 Line out 20kΩ

■ How to connect the extension cable for adjusting

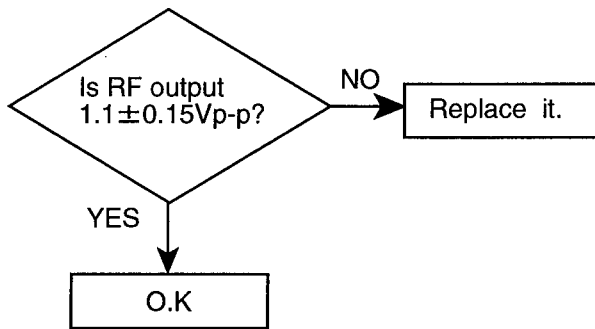


Flow of Functional Operation Until TOC Read



Maintenance of Laser Pickup

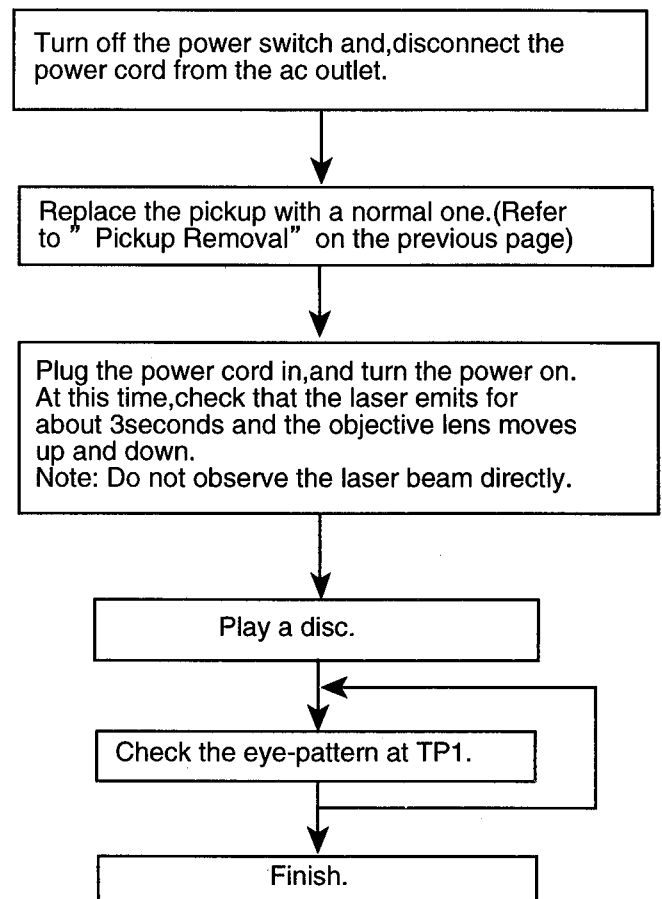
- (1) Cleaning the pick up lens
 Befor you replace the pick up, please try to clean the lens with alcohol soaked cotton swab.
- (2) Life of the laser diode (Fig.1)
 When the life of the laser diode has expired, the following symptoms wil appear.
- (3) The level of RF output (EFM output:ampli tude of eye pattern) will be low.



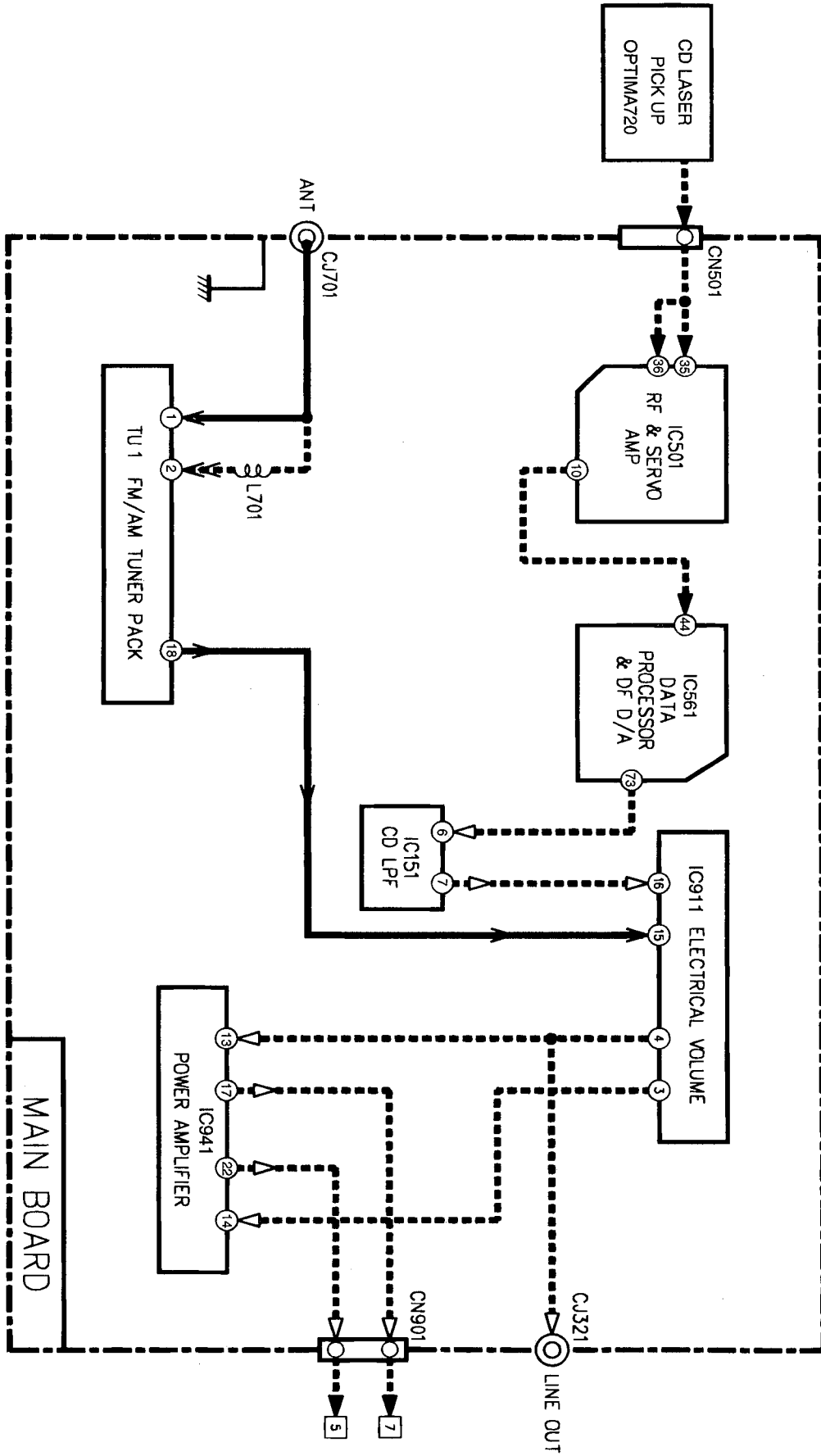
(Fig.1)

- (3) Semi-fixed resistor on the APC PC board
 The semi-fixed resistor on the APC printed circuit board which is attached to the pickup is used to adjust the laser power. Since this adjustment should be performed to match the characteristics of the whole optical block, do not touch the semi-fixed resistor.
 If the laser power is lower than the specified value, the laser diode is almost worn out, and the laser pickup should be replaced.
 If the semi-fixed resistor is adjusted while the pickup is functioning normally, the laser pickup may be damaged due to excessive current.

Replacement of Laser Pickup



Block Diagram



■ Front & CD Section (KD-SX838R)

6

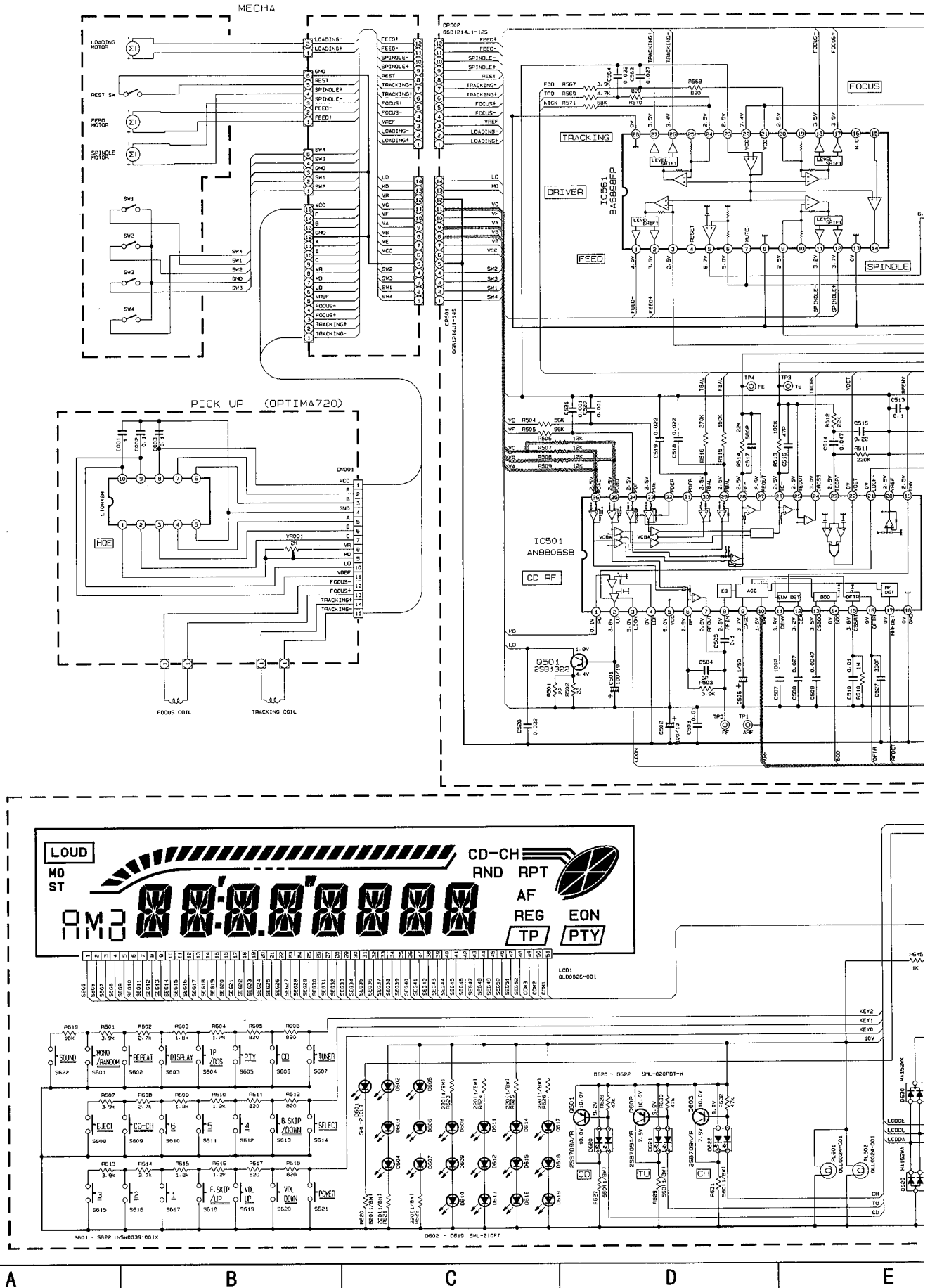
5

4

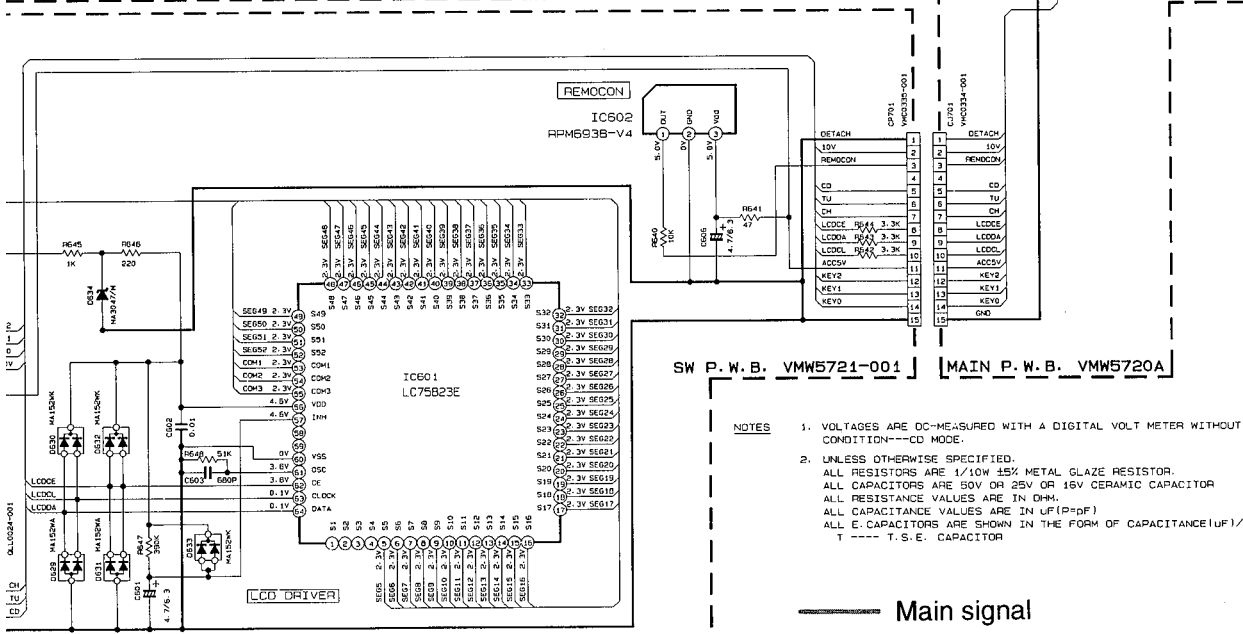
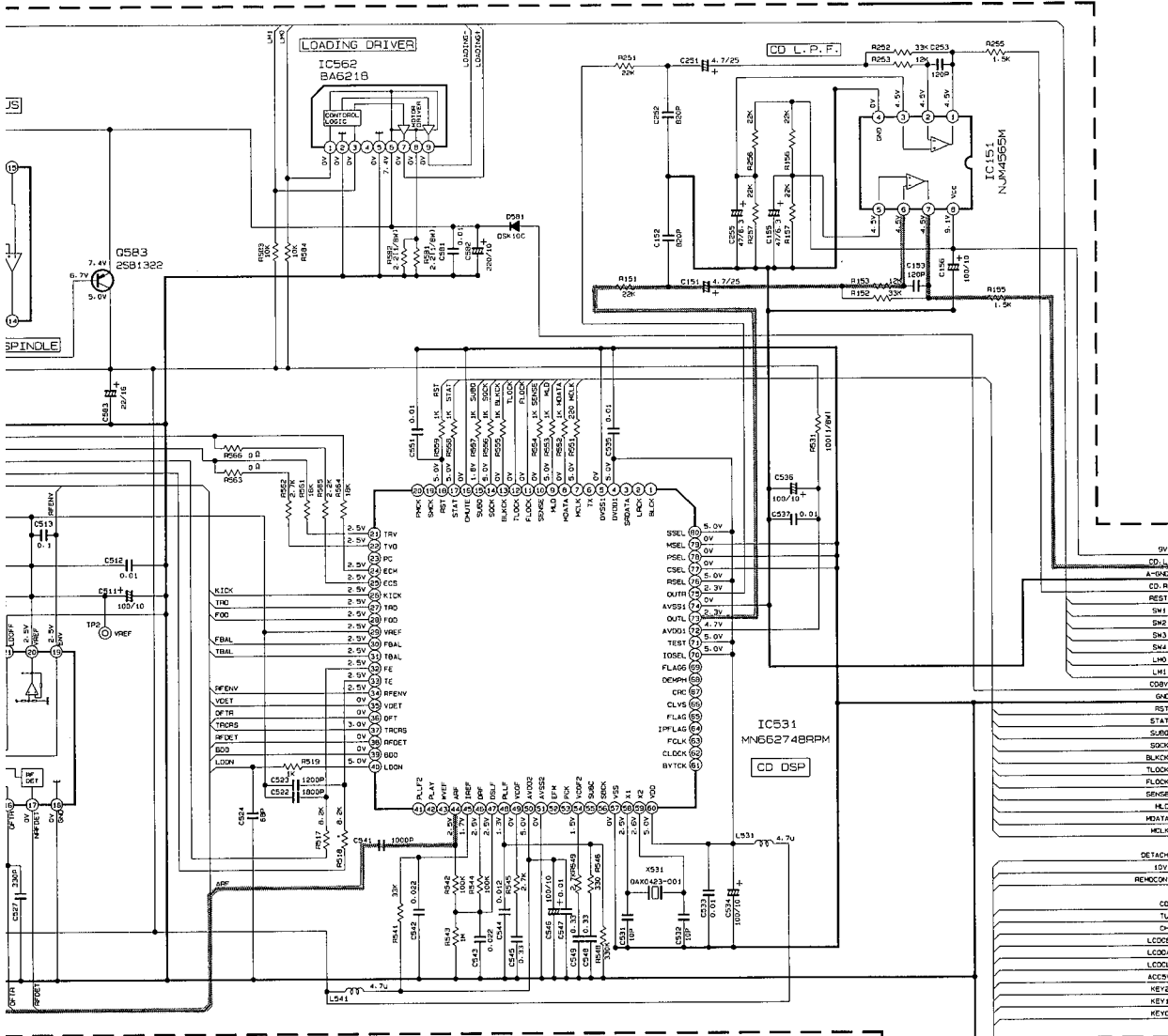
3

2

1



A B C D E

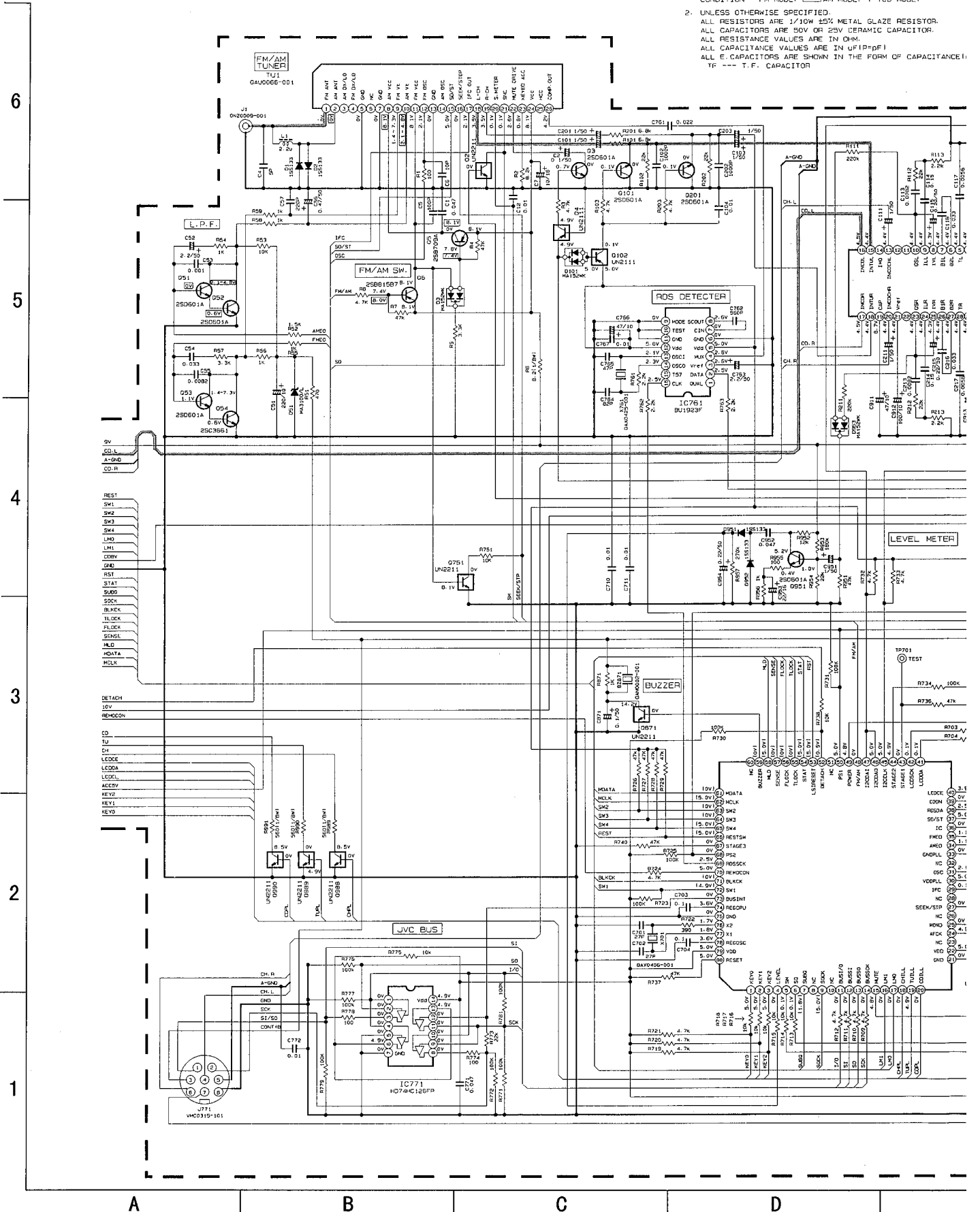


- NOTES**
1. VOLTAGES ARE DC-MEASURED WITH A DIGITAL VOLT METER WITHOUT INPUT SIGNAL CONDITION---CD MODE.
 2. UNLESS OTHERWISE SPECIFIED, ALL RESISTORS ARE 1/10W 45% METAL GLAZE RESISTOR. ALL CAPACITORS ARE 50V OR 25V OR 16V CERAMIC CAPACITOR. ALL RESISTANCE VALUES ARE IN OHM. ALL CAPACITANCE VALUES ARE IN UF (pF). ALL C. CAPACITORS ARE SHOWN IN THE FORM OF CAPACITANCE(UF)/RATED VOLTAGE(V). T ---- T. S. E. CAPACITOR

Main signal

■ Tuner/Amp. Section (KD-SX838R)

- NOTES
1. VOLTAGES ARE DC-MEASURED WITH A DIGITAL VOLT METER WITH CONDITION---FM MODE. □ AM MODE. I ICD MODE.
 2. UNLESS OTHERWISE SPECIFIED:
ALL RESISTORS ARE 1/10W 25% METAL GLAZE RESISTOR.
ALL CAPACITORS ARE 50V OR 25V CERAMIC CAPACITOR.
ALL RESISTANCE VALUES ARE IN OHM.
ALL CAPACITANCE VALUES ARE IN μ F (P=PF)
ALL E. CAPACITORS ARE SHOWN IN THE FORM OF CAPACITANCE I.
TF --- T.F. CAPACITOR

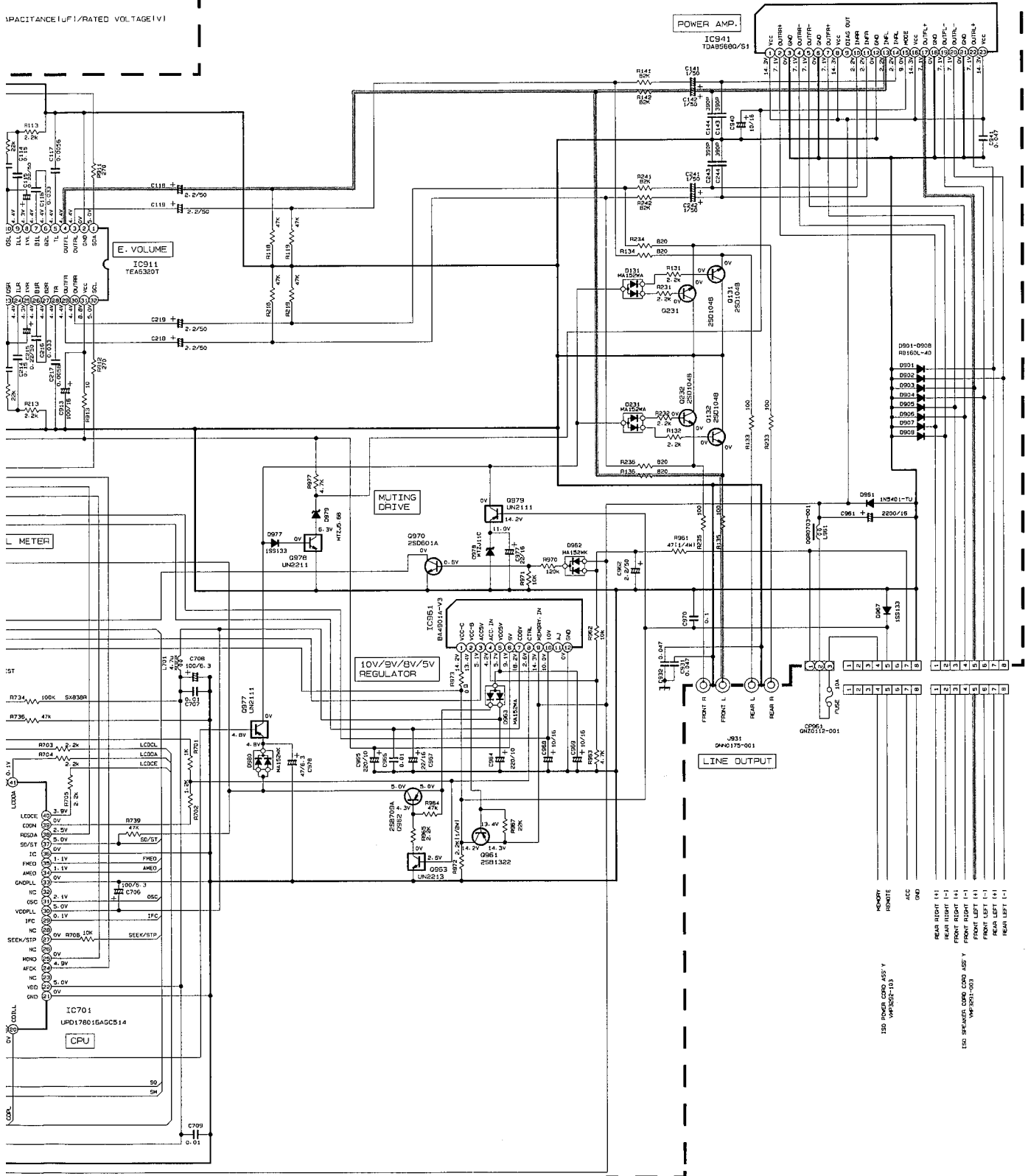


KD-SX838R KD-S737R/KD-S707R

* METER WITHOUT INPUT SIGNAL

ISTOR.
ITOR.

SPACITANCE (UF)/RATED VOLTAGE (V)



MAIN P. W. B. VMW5720A

E

F

G

H

I

Front & CD Section (KD-S737R/KD-S707R)

6

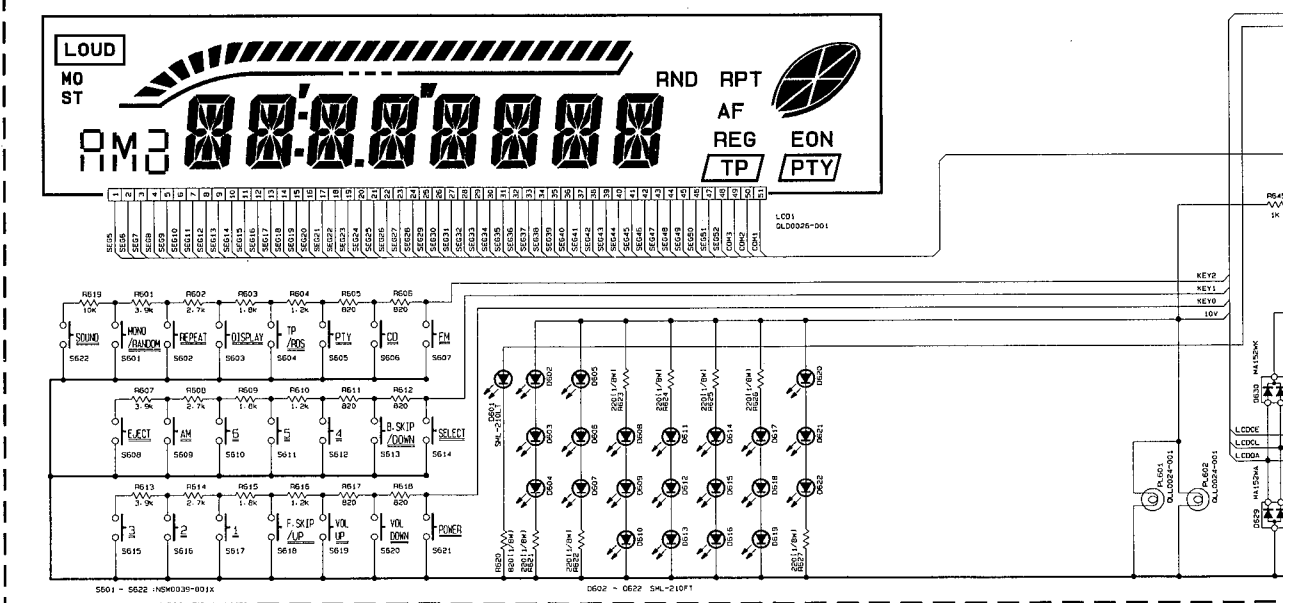
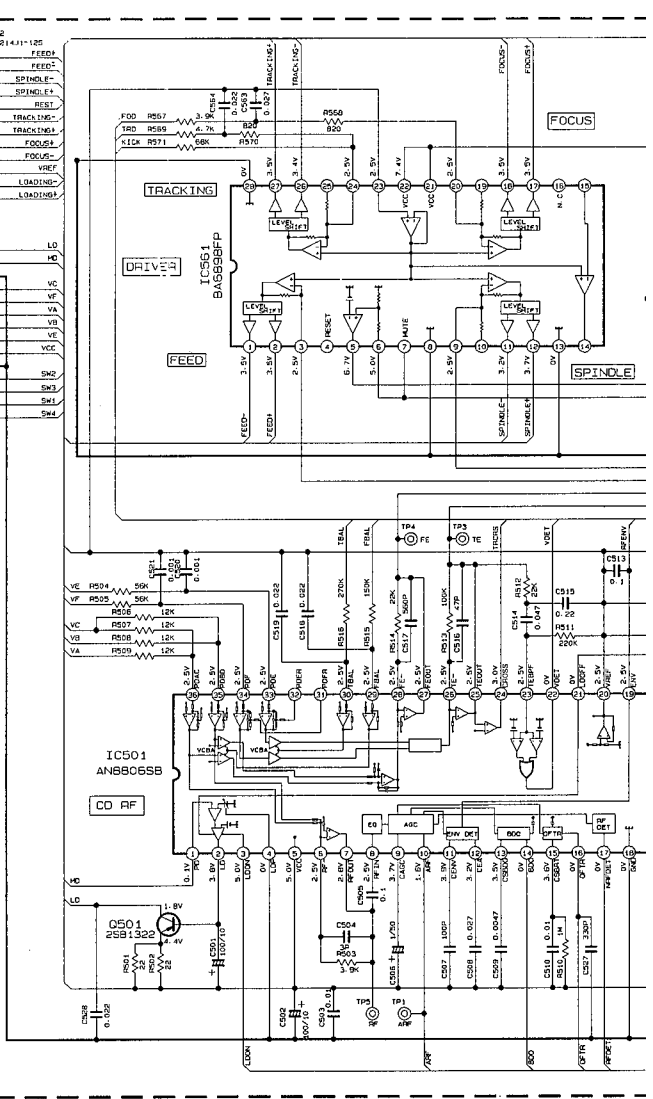
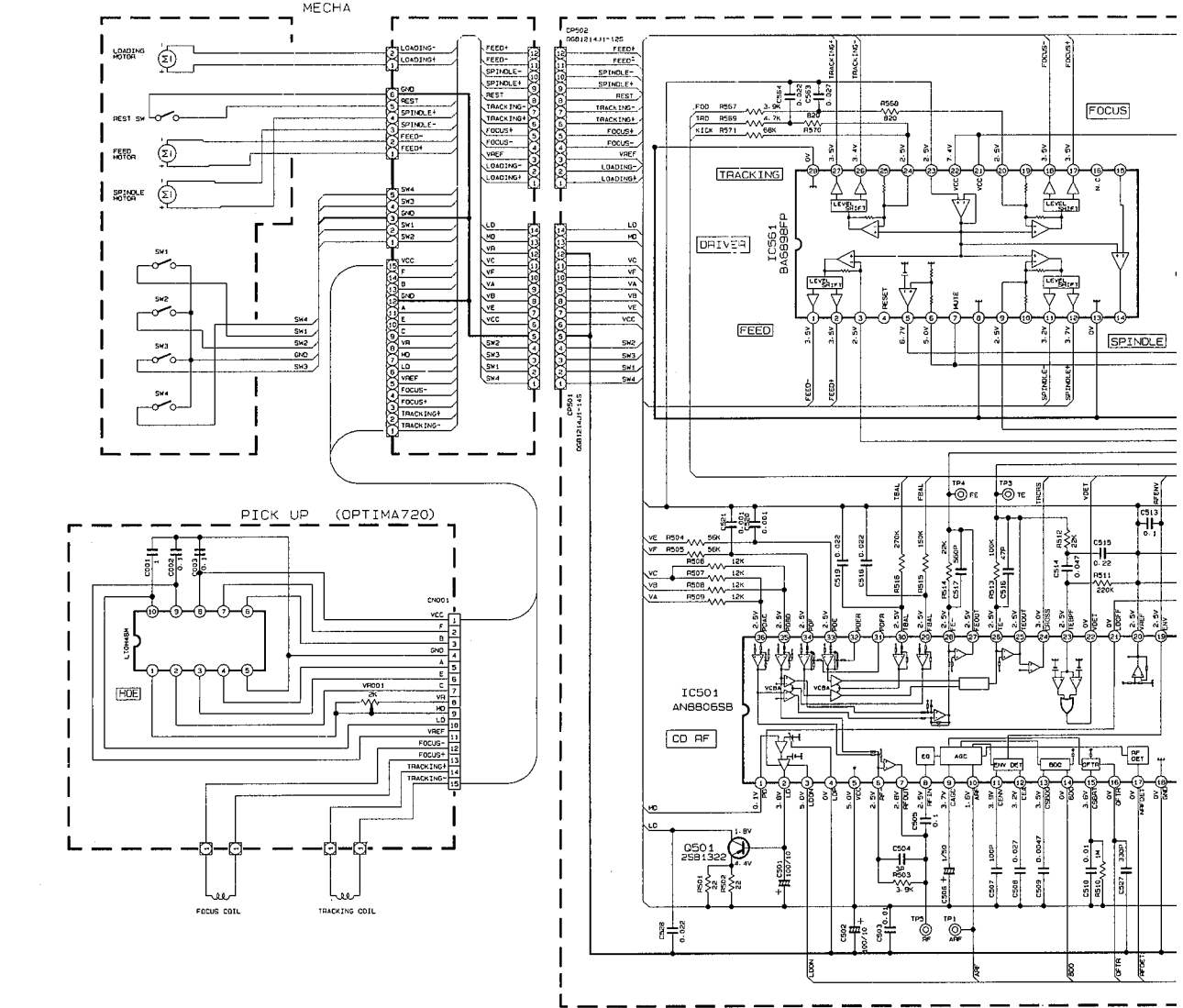
5

4

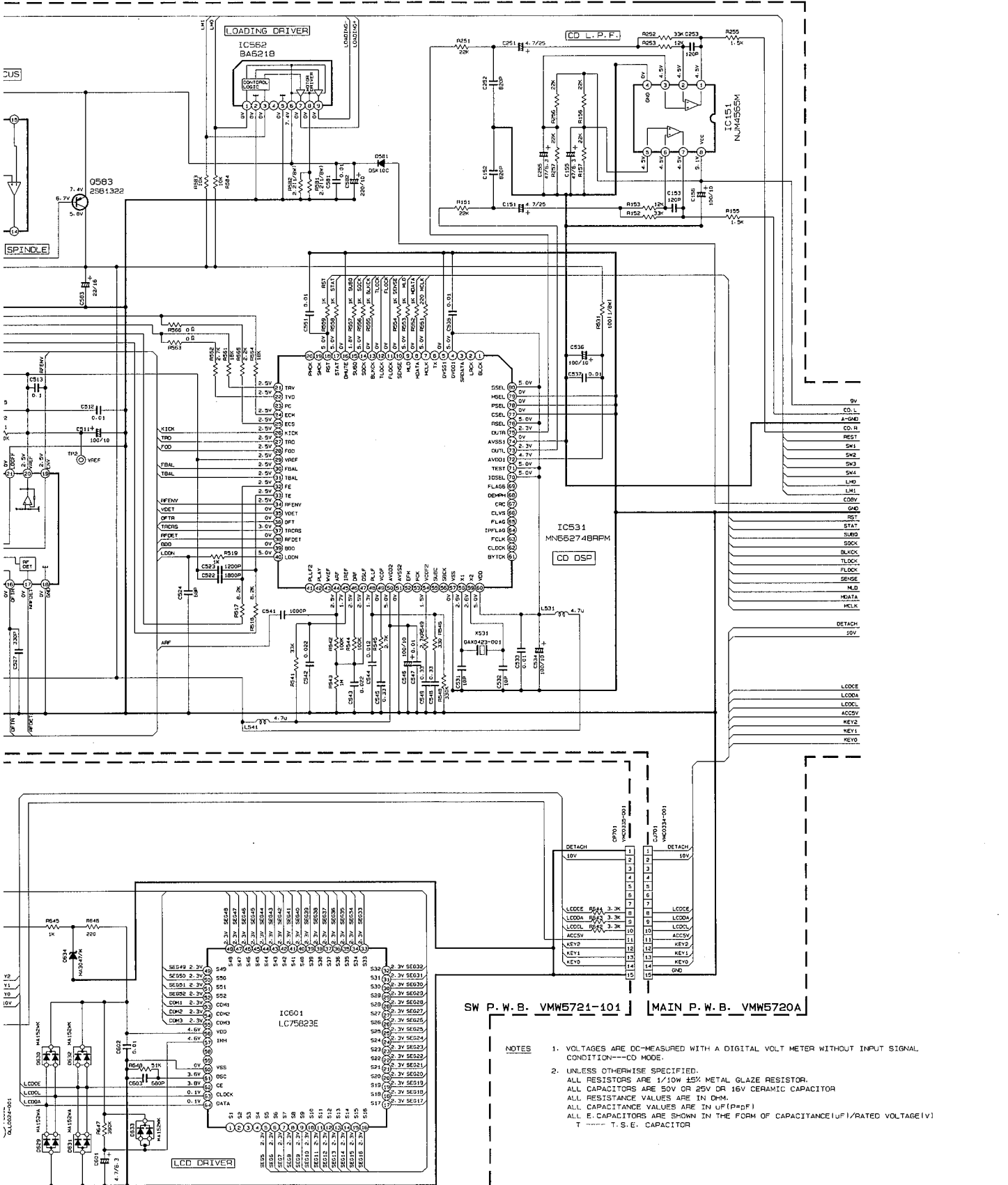
3

2

1



A B C D E



SW P. W. B. VMW5721-101 | MAIN P. W. B. VMW5720A

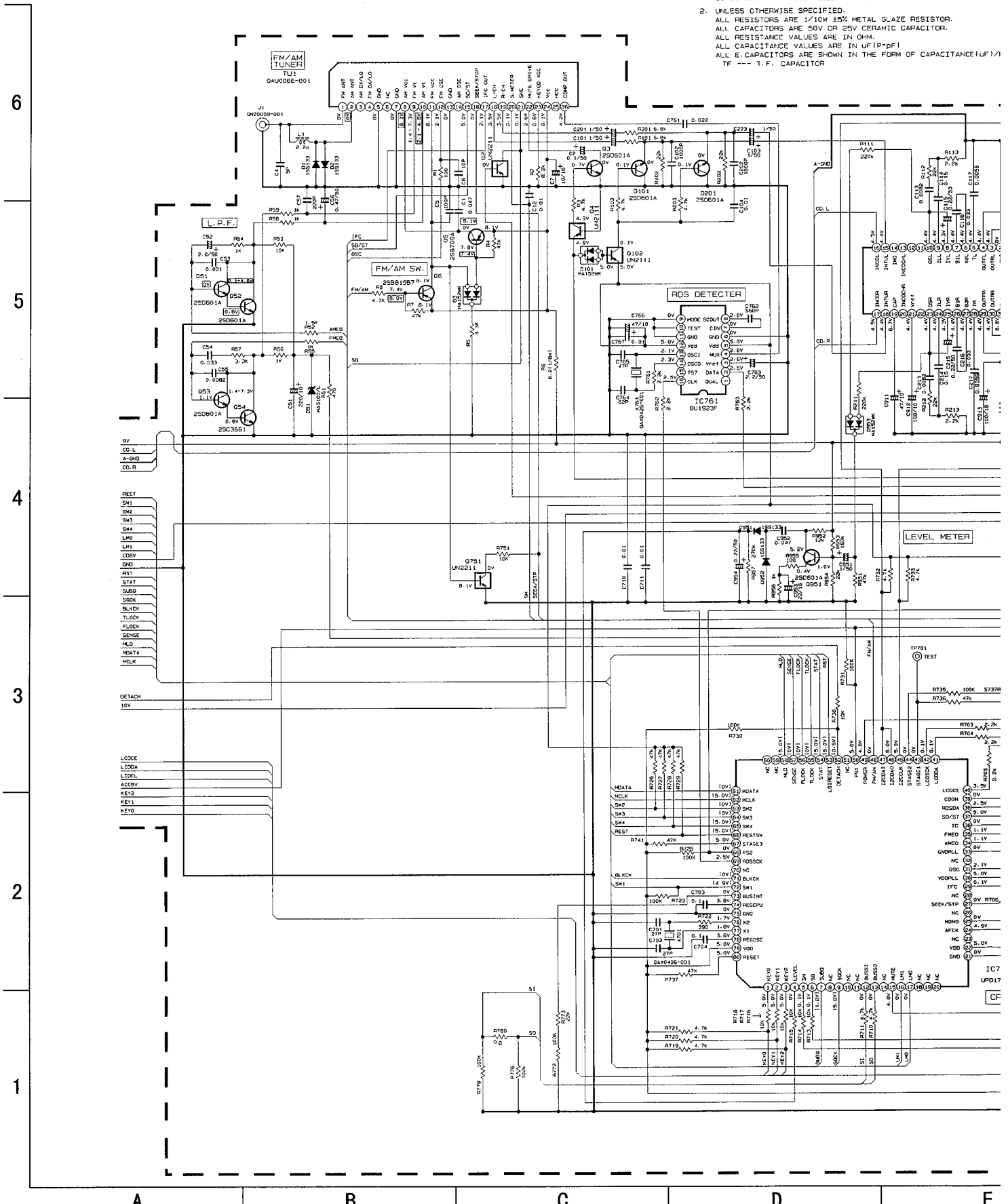
- NOTES
- VOLTAGES ARE DC-MEASURED WITH A DIGITAL VOLT METER WITHOUT INPUT SIGNAL CONDITION—CD MODE
 - UNLESS OTHERWISE SPECIFIED, ALL RESISTORS ARE 1/10W 45V METAL GLAZE RESISTOR. ALL CAPACITORS ARE 50V OR 25V OR 16V CERAMIC CAPACITOR. ALL RESISTANCE VALUES ARE IN OHM. ALL CAPACITANCE VALUES ARE IN UF(PdF) UNLESS OTHERWISE SHOWN IN THE FORM OF CAPACITANCE(1UF)/RATED VOLTAGE(V) T ----- T. S. E. CAPACITOR

E F G H I

■ Tuner/Amp. Section (KD-S737R)

NOTES

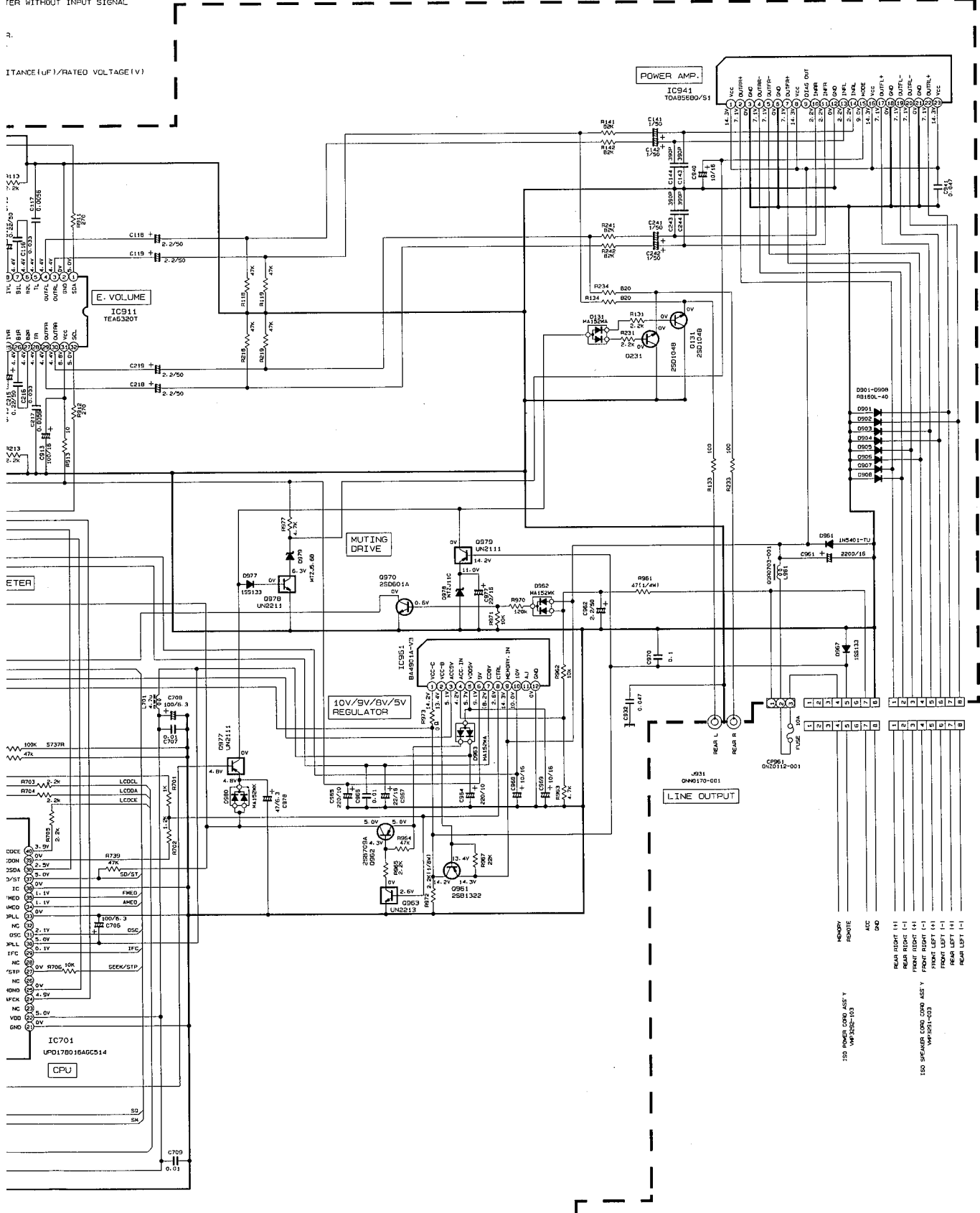
1. VOLTAGES ARE DC-MEASURED WITH A DIGITAL VOLT METER WITHOUT CONDITION---FM MODE. □ AM MODE. I ICD MODE.
2. UNLESS OTHERWISE SPECIFIED.
ALL RESISTORS ARE 1/10W 15% METAL GLAZE RESISTOR.
ALL CAPACITORS ARE 50V OR 25V CERAMIC CAPACITOR.
ALL RESISTANCE VALUES ARE IN OHM.
ALL CAPACITANCE VALUES ARE IN UF/P/pF
ALL E. CAPACITORS ARE SHOWN IN THE FORM OF CAPACITANCE(UF/P)/A
TF --- T.F. CAPACITOR



KD-SX838R KD-S737R/KD-S707R

TER WITHOUT INPUT SIGNAL

ITANCE (UF)/RATED VOLTAGE (V)



MAIN P.W.B. VMW5720A

E

F

G

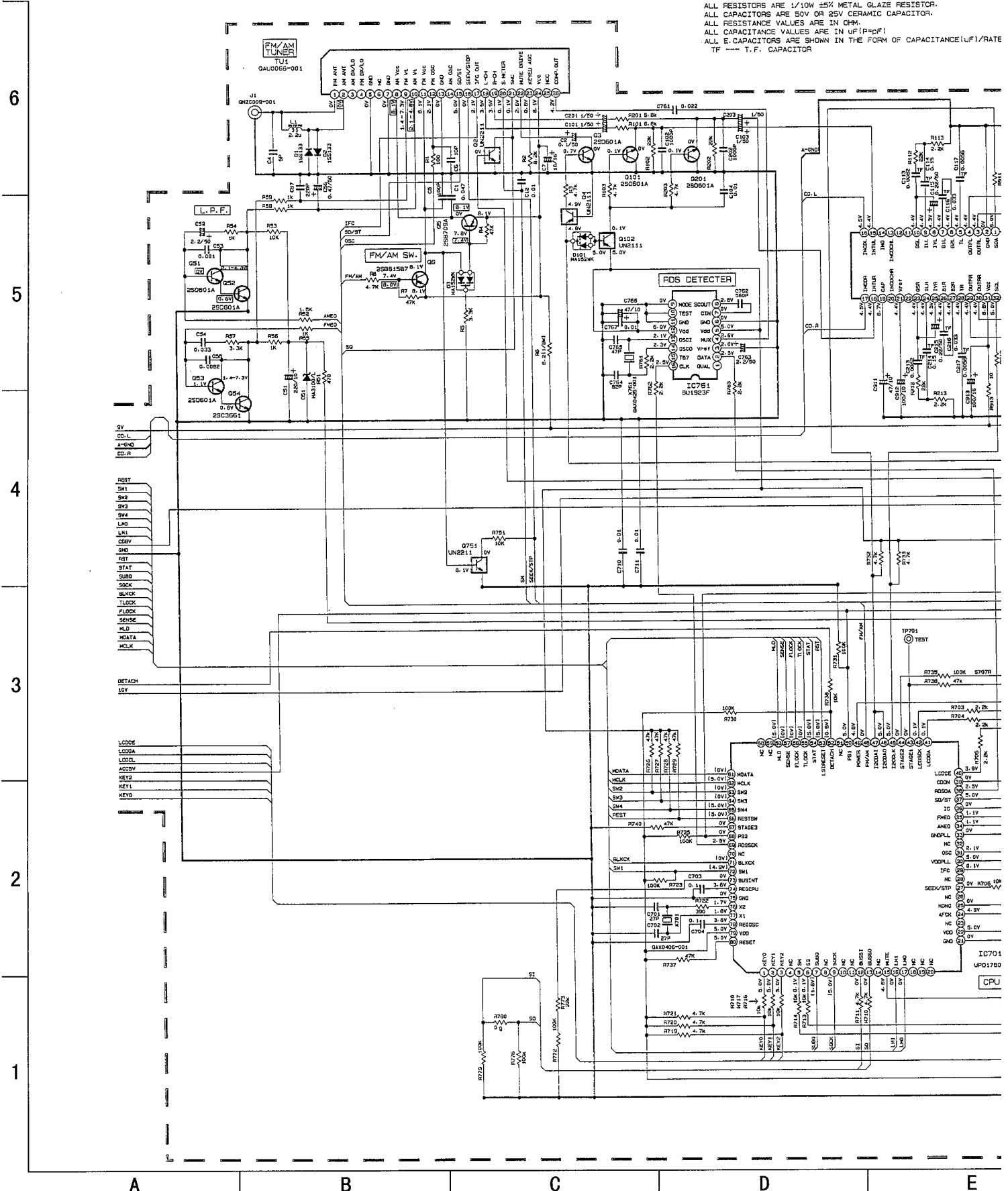
H

I

- HENRY
 - FRONT
 - ACC
 - GND
 - REAR RIGHT (+)
 - REAR RIGHT (-)
 - FRONT RIGHT (+)
 - FRONT RIGHT (-)
 - FRONT LEFT (+)
 - FRONT LEFT (-)
 - REAR LEFT (+)
 - REAR LEFT (-)
- 150 POWER CORD ASSY
VMW552-103
- 150 SPEAKER CORD ASSY
VMW551-103

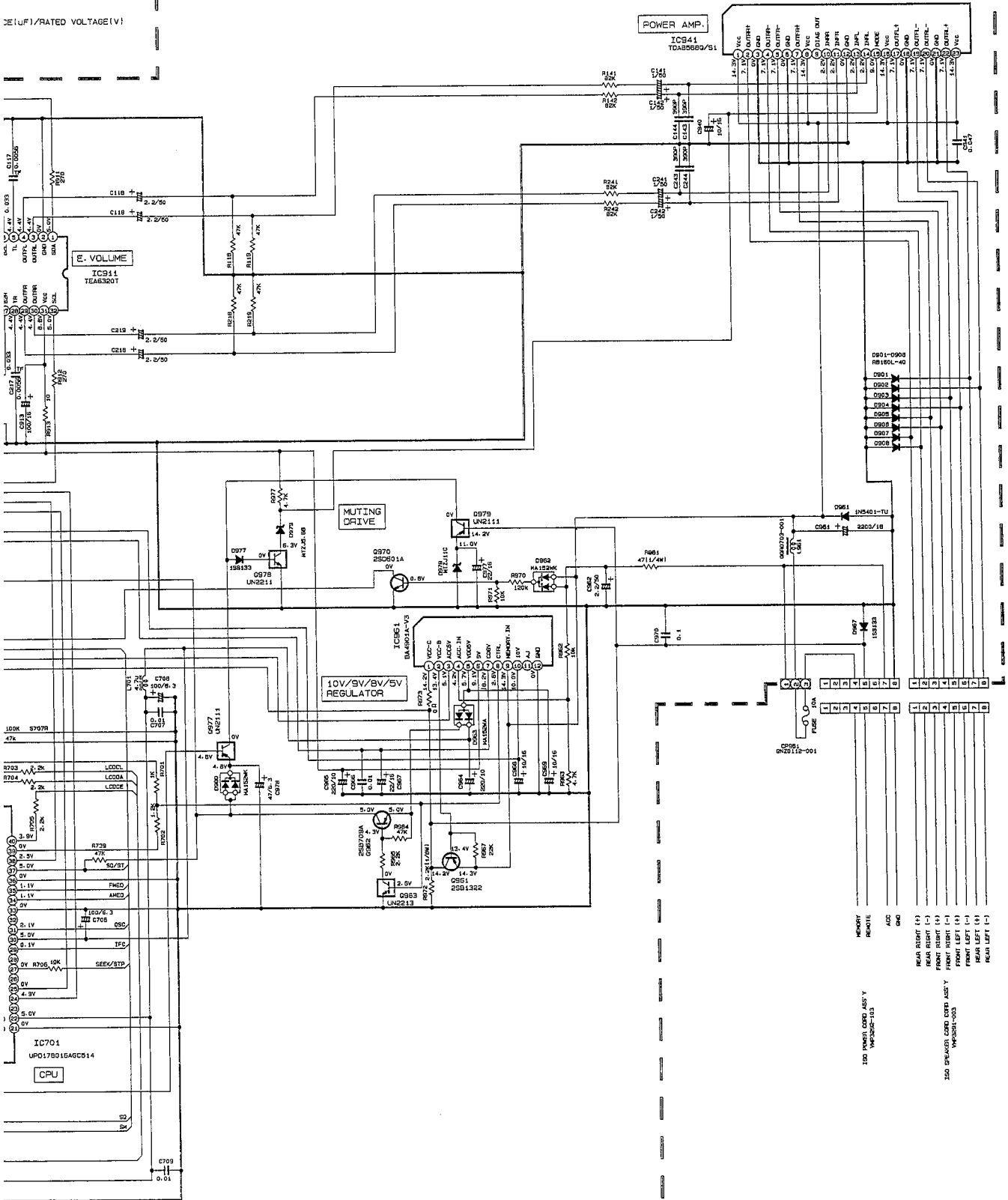
■ Tuner/Amp. Section (KD-S707R)

- NOTES**
1. VOLTAGES ARE DC-MEASURED WITH A DIGITAL VOLT METER WITHOUT INP CONDITION—FM MODE. □ AM MODE. () CD MODE.
 2. UNLESS OTHERWISE SPECIFIED, ALL RESISTORS ARE 1/10W ±5% METAL GLAZE RESISTOR. ALL CAPACITORS ARE 50V OR 25V CERAMIC CAPACITOR. ALL RESISTANCE VALUES ARE IN OHM. ALL CAPACITANCE VALUES ARE IN UF [PpF]. ALL CAPACITORS ARE SHOWN IN THE FORM OF CAPACITANCE(UF)/RATE TF --- T.F. CAPACITOR



WITHOUT INPUT SIGNAL

2E(UF)/RATED VOLTAGE(V)



MAIN P. W. B. VMW5720A

E

F

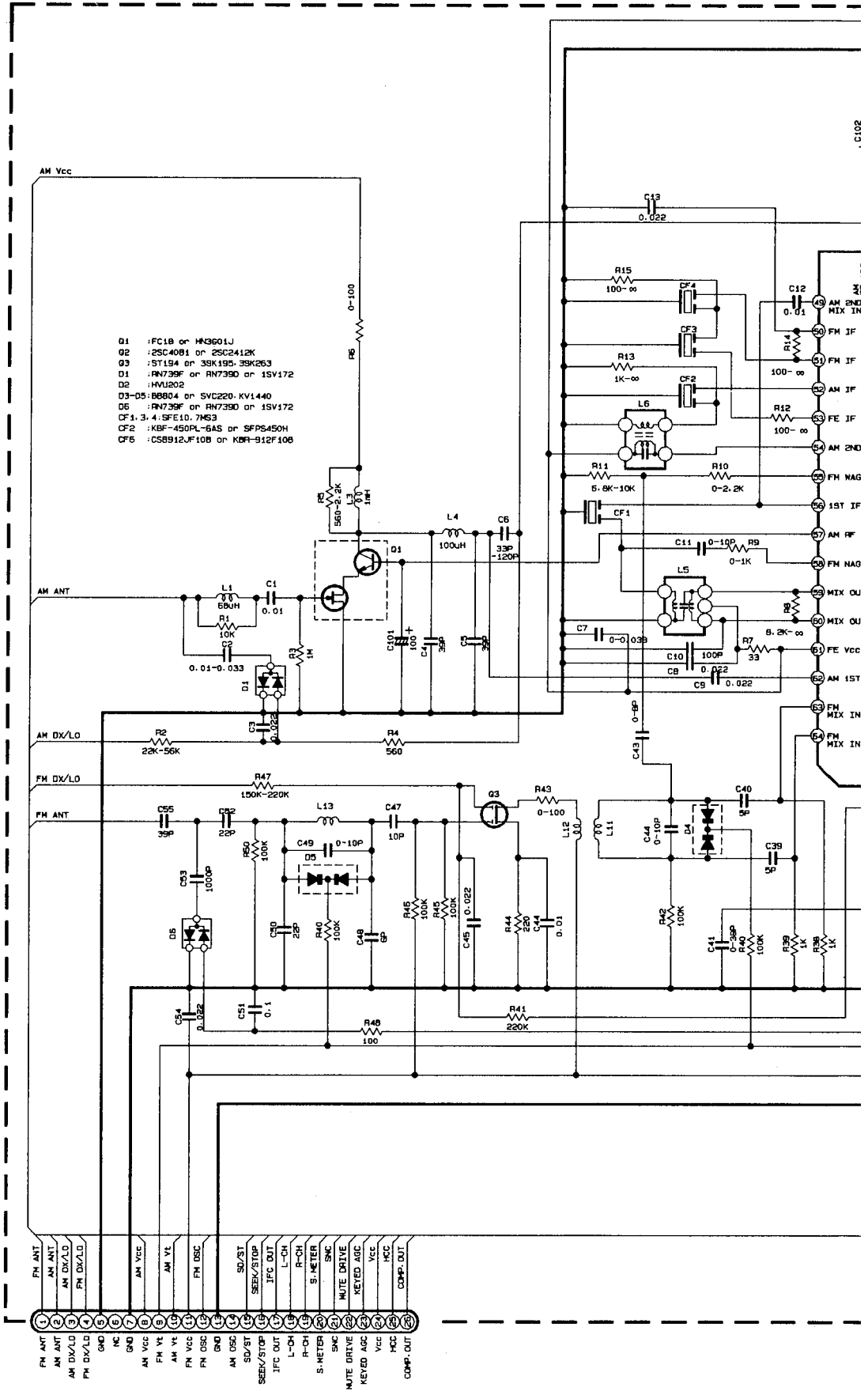
G

H

I

■ Tuner Control

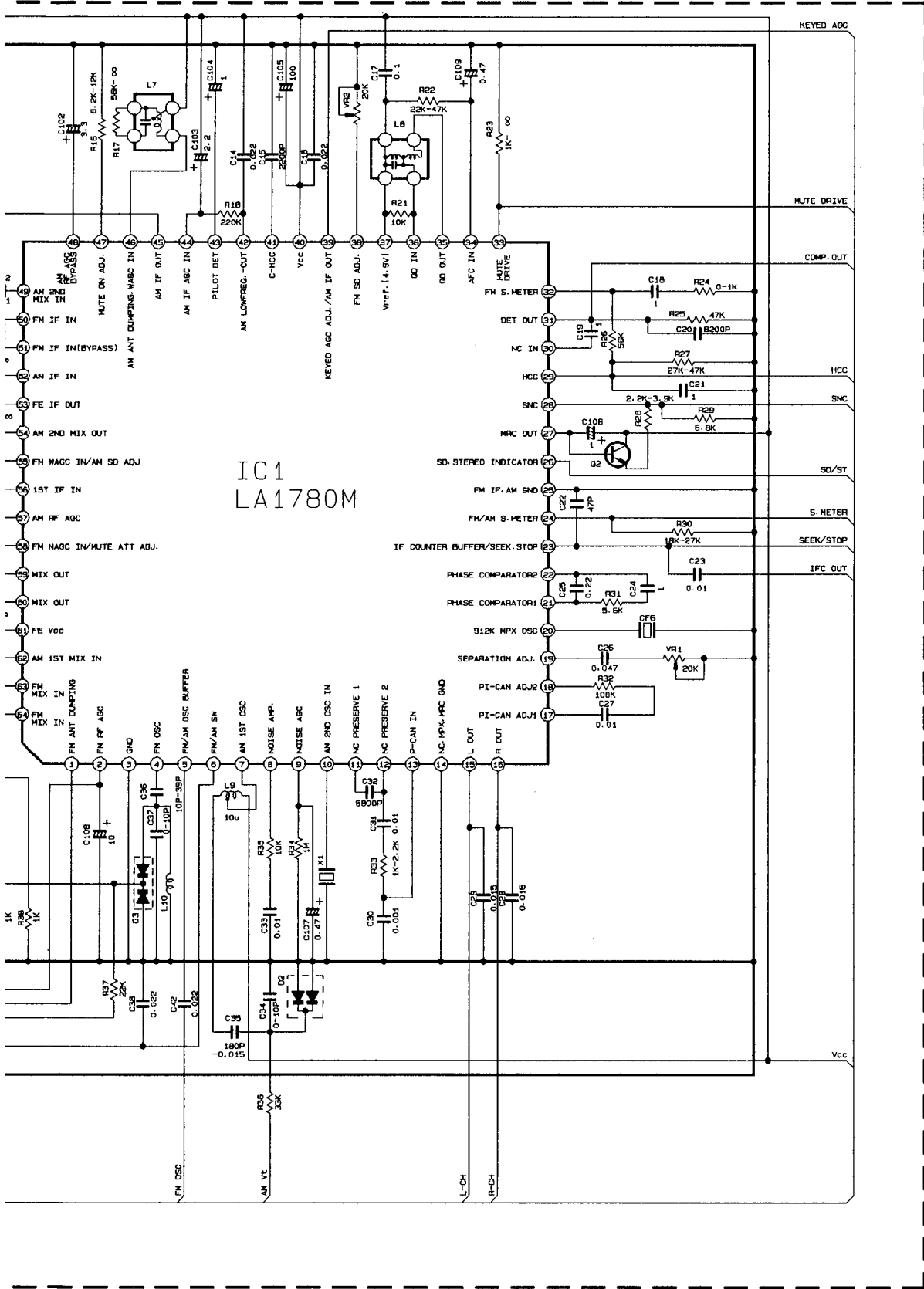
6
5
4
3
2
1



QAU0066-001

A B C D

KD-SX838R
 KD-S737R/KD-S707R



IC1
 LA1780M

E

F

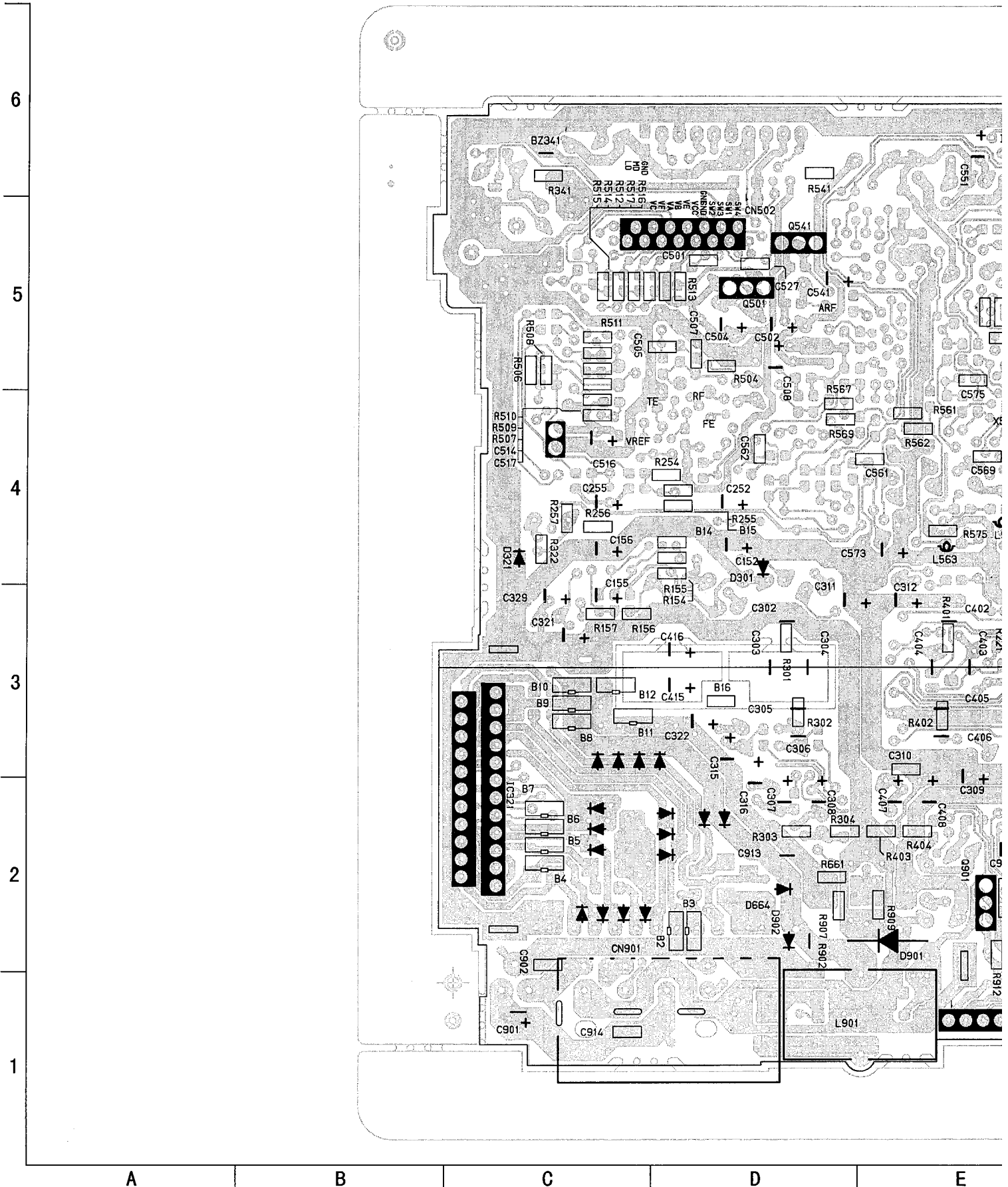
G

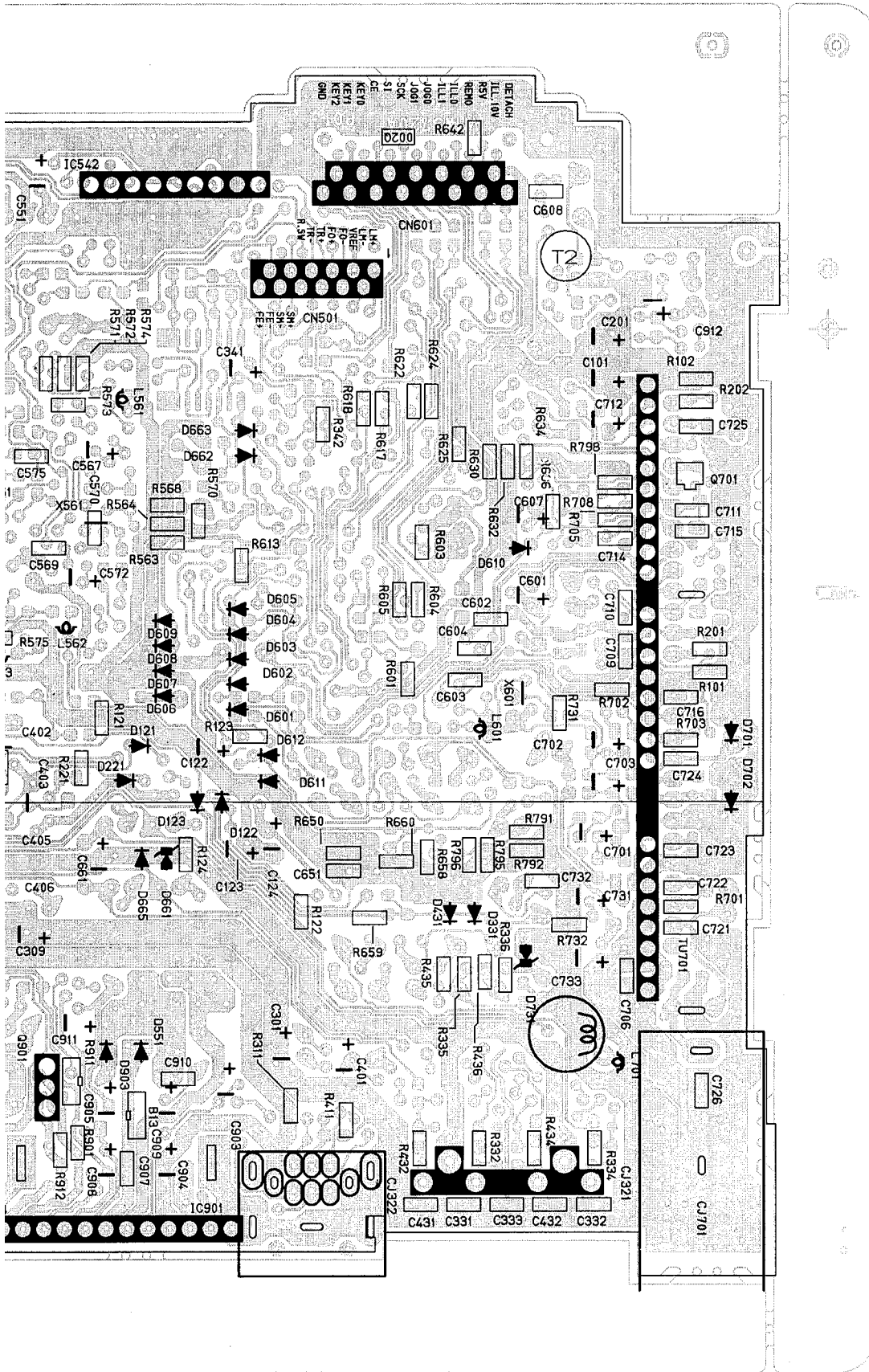
H

I

■ Main P. C. Board

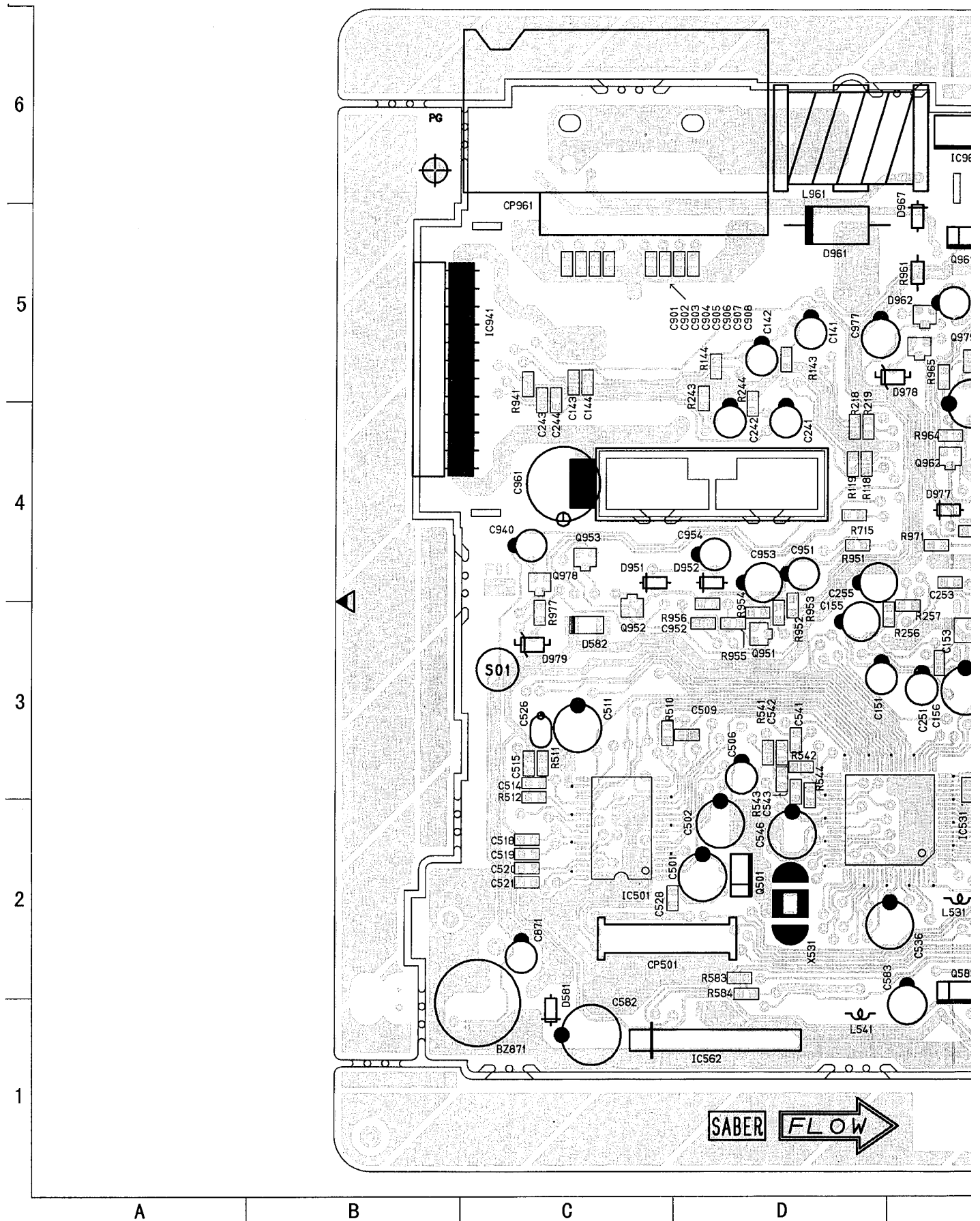
(Solder Surface)

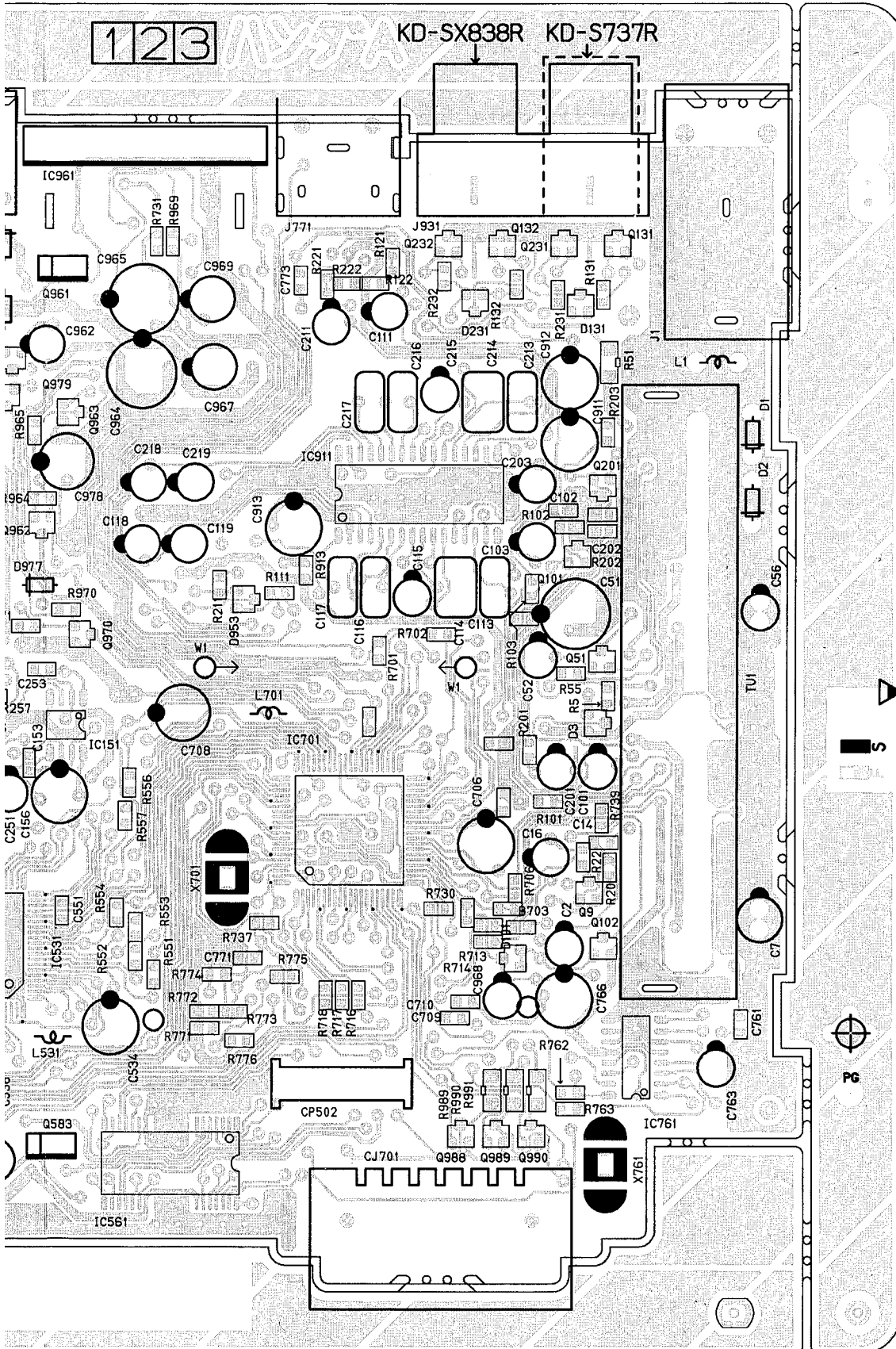




E F G H I

■ Main P. C. Board
(Parts Mounting Surface)





E

F

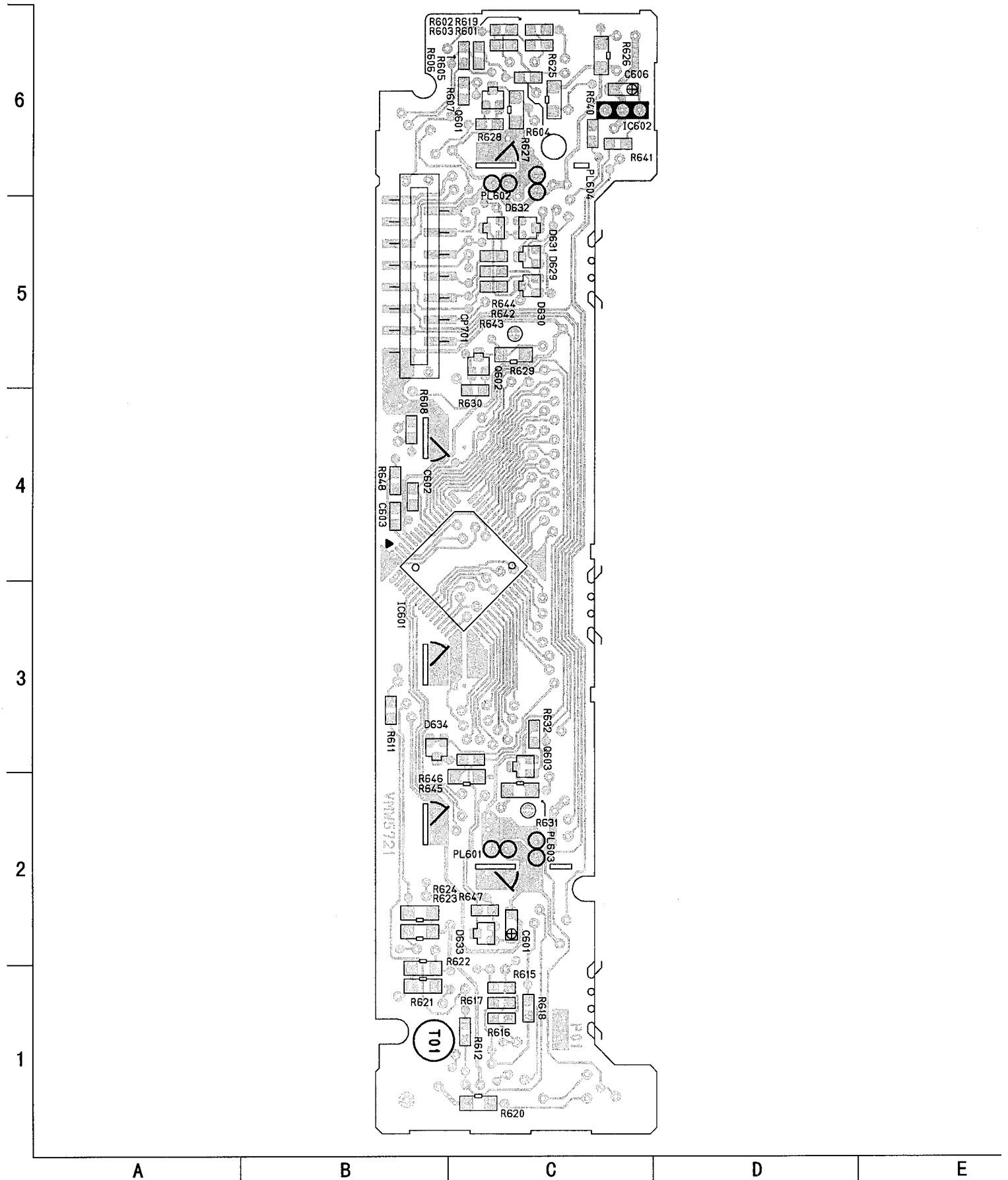
G

H

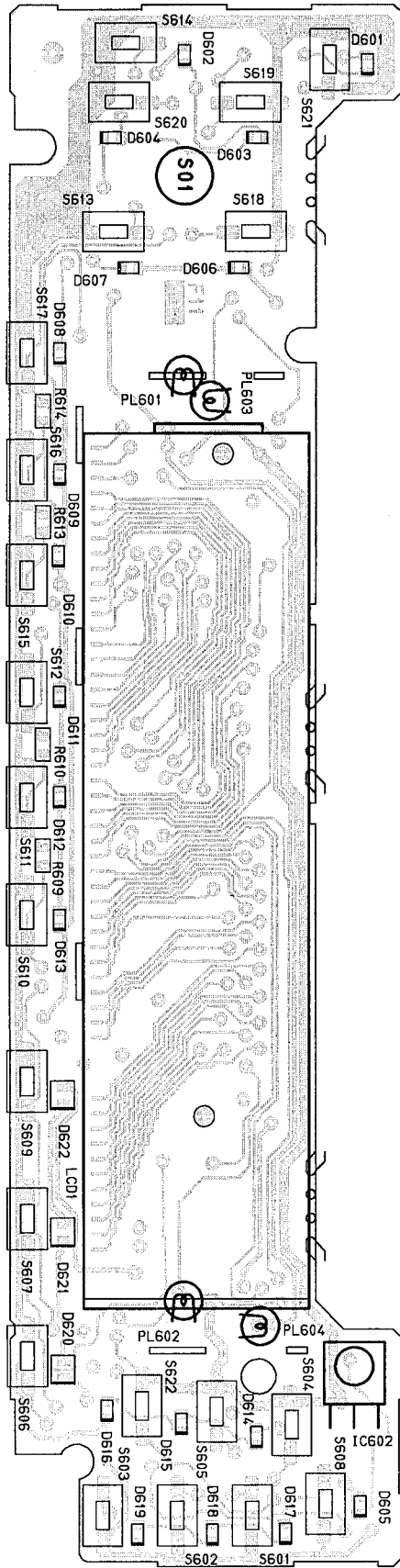
I

■ Front P. C. Board (KD-SX838R/KD-S737R)

(Solder Surface)



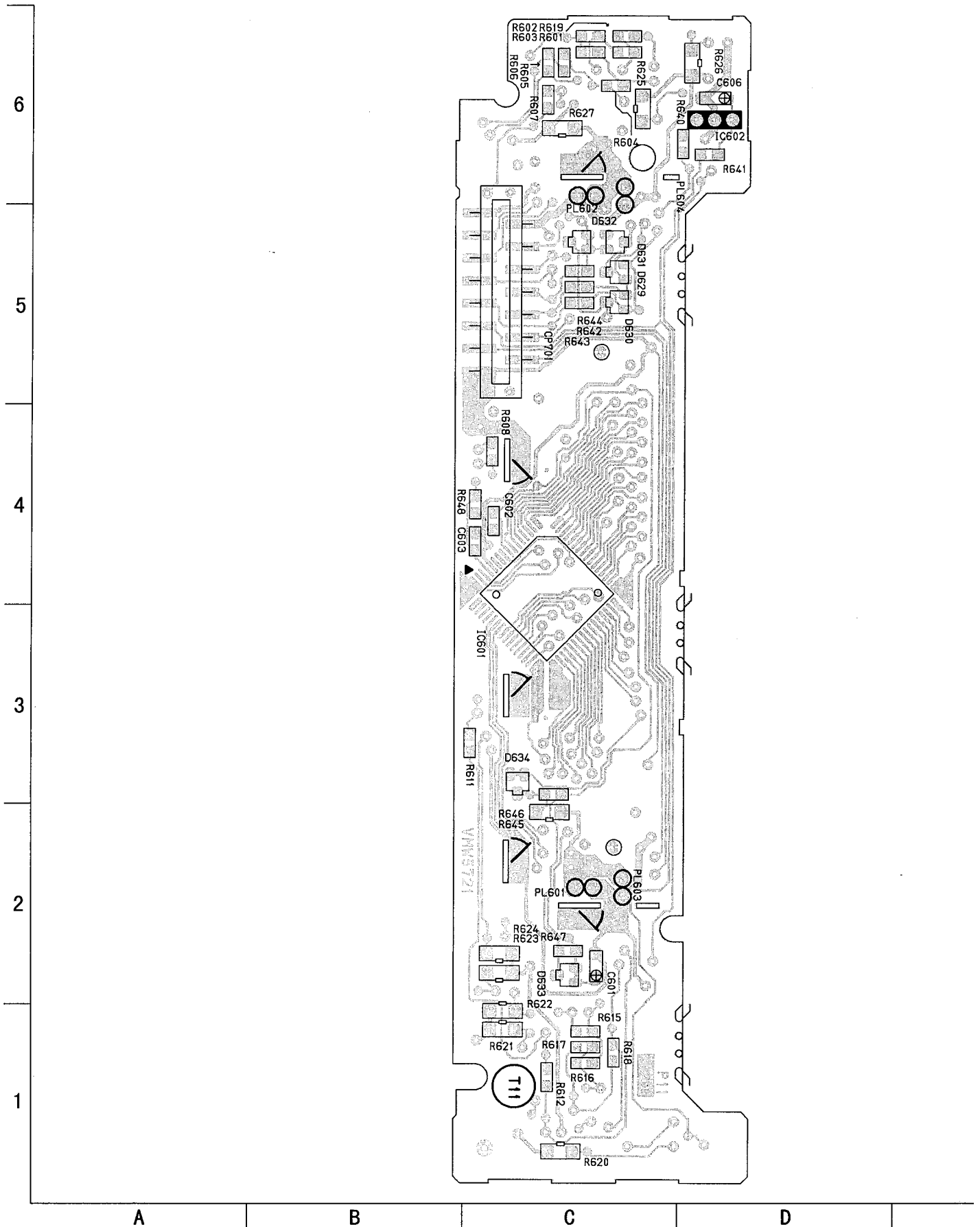
(Parts Mounting Surface)



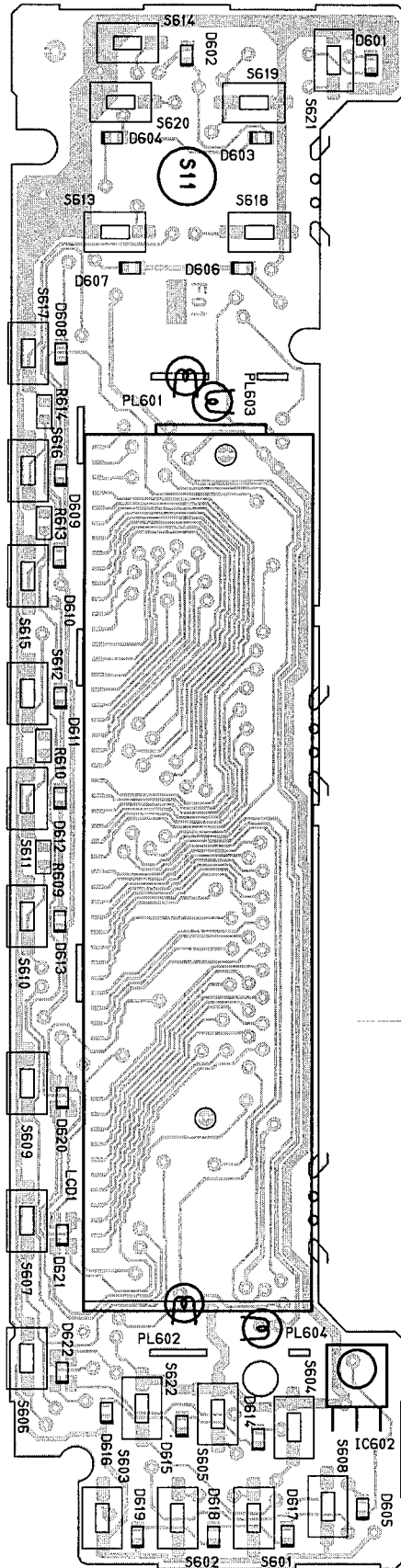
E F G H I

■ Front P. C. Board (KD-S707R)

(Solder Surface)



(Parts Mounting Surface)



E

F

G

H

I

PARTS LIST

[KD-SX838R/S737R/S707R]

* All printed circuit boards and its assemblies are not available as service parts.

The Marks for Designated Areas

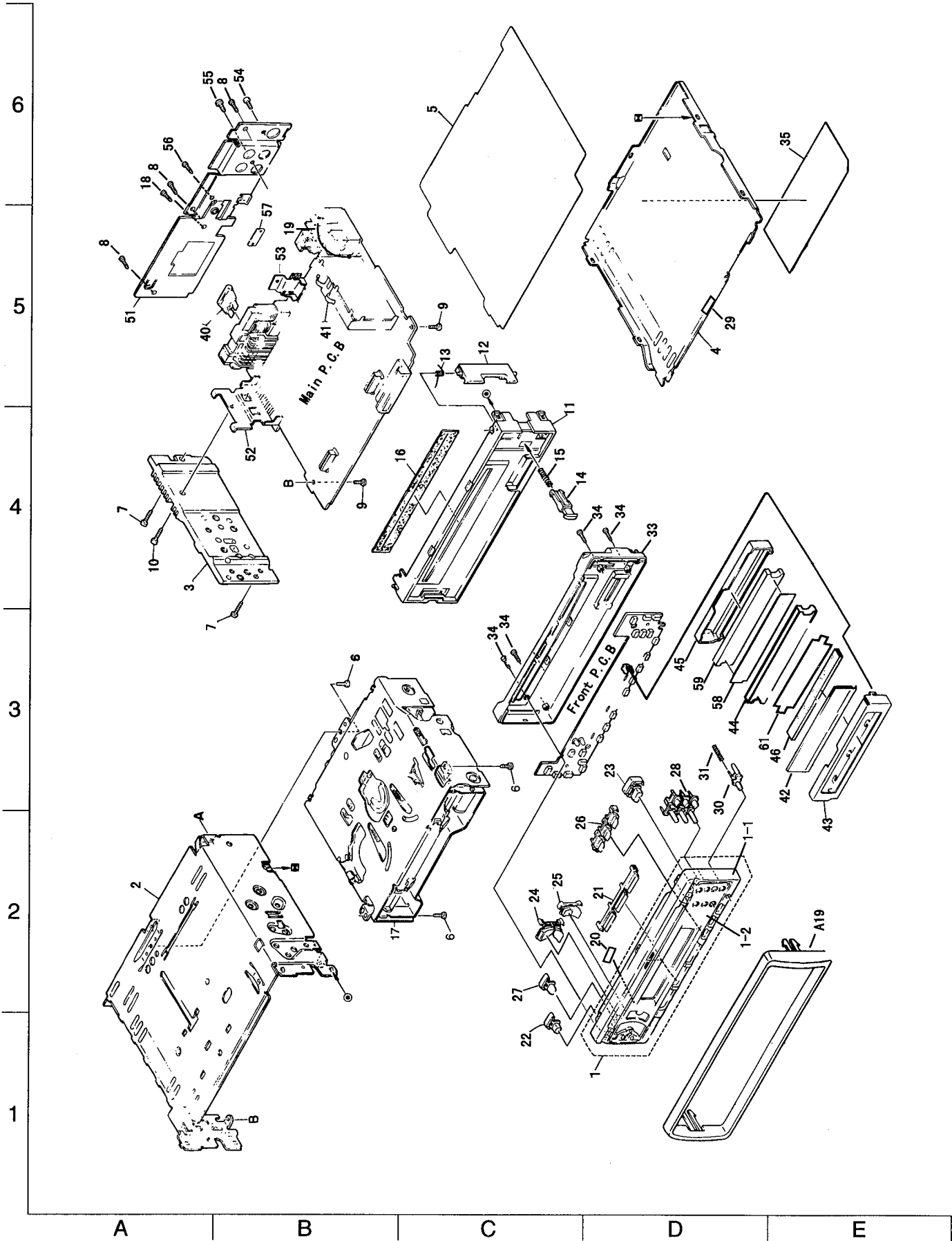
E ---- Continental Europe

- Contents -

General Exploded View and Parts List	3-2
CD Mechanism Ass'y and Parts List	3-5
Electrical Parts List	
Main P.C.B	3-8
Front P.C.B	3-12
Packing Materials and Accessories	3-13

General Exploded View and Parts List

Block No. M1MM



■ Parts List

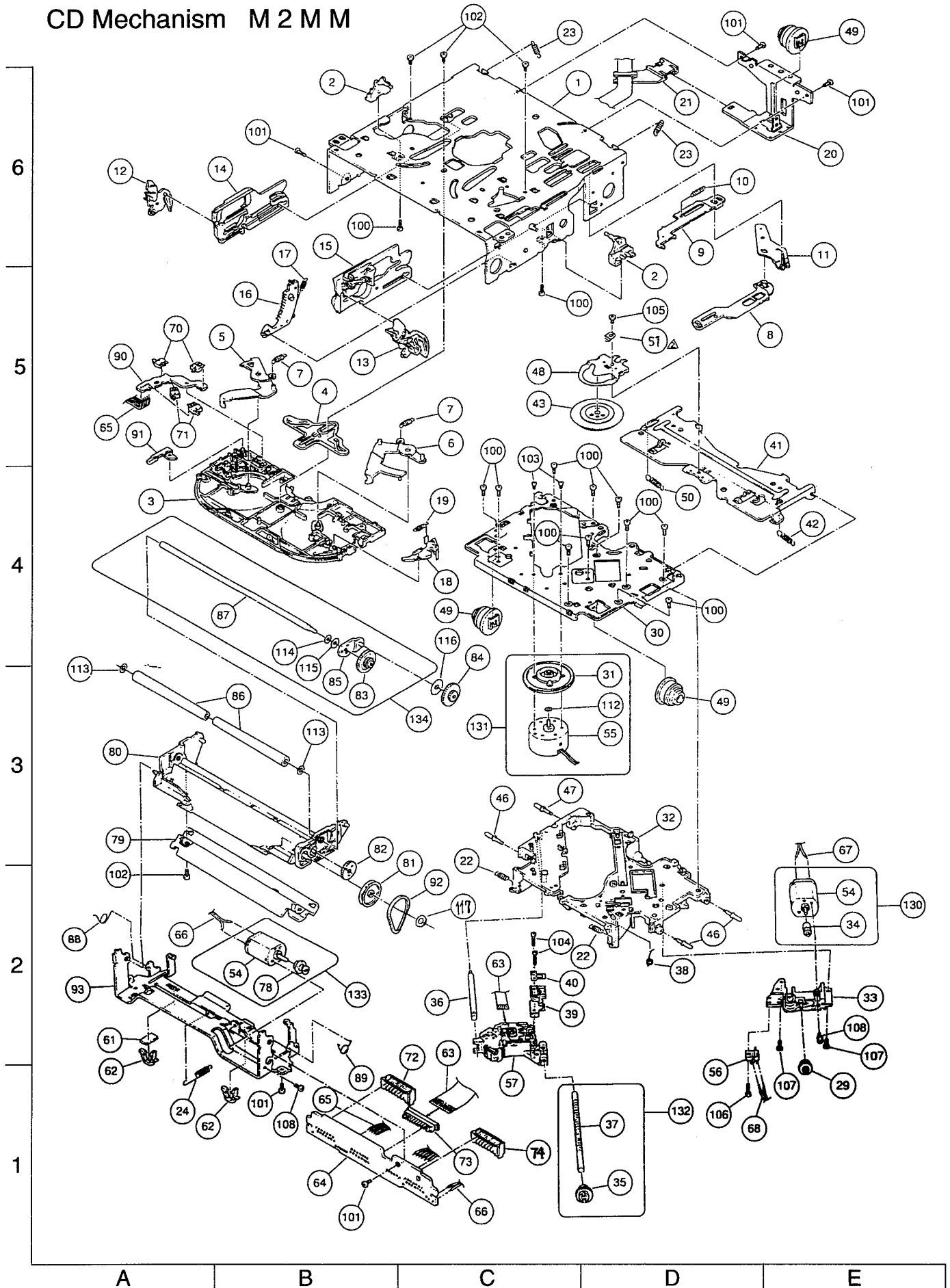
BLOCK NO. M1MM | | |

△ REF.	PARTS NO.	PARTS NAME	REMARKS	QTY	SUFFIX	CLR
1	ZCKDSX838RE-NPA	NOSE PIECE	KD-SX838R ONLY	1		
	ZCKDS707RE-NPA	NOSE PIECE	KD-S707R ONLY	1		
	ZCKDS737RE-NPA	NOSE PIECE	KD-R737R ONLY	1		
1-1	FSJC1034-002	FRONT PANEL		1		
1-2	FSJD3010-00G	FINDER ASS'Y	KD-SX838R ONLY	1		
	FSJD3010-00E	FINDER ASS'Y	KD-S707R ONLY	1		
	FSJD3010-00F	FINDER ASS'Y	KD-S737R ONLY	1		
2	FSJC1029-004	TOP CHASSIS		1		
3	FSMH3001-002	HEAT SINK		1		
4	FSKM3011-001	BOTTOM COVER	CHASSIS+CD MECH	1		
5	FSMA3004-003	INSULATOR	CHASSIS+REAR BK	1		
6	SDST2604Z	SCREW	CHASSIS+MECHA	3		
7	FSKZ4005-001	SCREW	SIDE PANEL+IC B	2		
8	SDST2606Z	SCREW		3		
9	SDST2606Z	SCREW		2		
10	FSKZ4005-001	SCREW		1		
11	FSJC2010-002	FRONT CHASSIS		1		
12	FSKS3004-001	LOCK LEVER		1		
13	FSKW4005-003	TORSION SPRING		1		
14	FSXP3026-002	RLS KNOB		1		
15	FSKW3002-004	COMP. SPRING		1		
16	FSPK3009-001	BLIND		1		
17	-----	CD MECHA		1		
18	SDST2606Z	SCREW	KD-S737R/SX838R	1		
19	QWE350-06A1A1	WIRE	KD-S707R/SX838R	1		
21	FSXP2025-001	PRESET BUTTON		1		
22	FSXP3044-001	POWER BUTTON		1		
23	FSXP3043-001	EJECT BUTTON		1		
24	FSXP2033-001	+/- BUTTON		1		
25	FSXP2026-002	UP/DOWN BUTTON	1/2/3/4/5/6	1		
26	FSXP2029-005	D.FUNC BUTTON	KD-SX838R ONLY	1		
	FSXP2029-002	D.FUNC BUTTON	KD-S707R/S737R	1		
27	FSXP3040-001	SEL BUTTON		1		
28	FSXP2030-001	PUSH BUT(SLANT)	6-IN 1	1		
29	FSYH4036-017	SHEET		1		
30	FSXP3049-002	DETACH BUTTON	FOR DETACH BUTT	1		
31	FSKW3002-008	COMP. SPRING		1		
33	FSJC1035-002	REAR COVER	KD-S707R/SX838R	1		
	FSJC1035-001	REAR COVER	KD-S737R ONLY	1		
34	SPSF1780M	MINI SCREW	FRONT+REAR	4		
35	VYN3832-S002	NAME PLATE	KD-SX838R ONLY	1		
	VYN3833-S002	NAME PLATE	KD-S737R ONLY	1		
	VYN3834-S002	NAME PLATE	KD-S707R ONLY	1		
40	QMFZ021-100-J1	FUSE		1		
41	VMA4652-001SS	EARTH PLATE		1		
42	QLD0026-001	LCD MODULE		1		
43	FSYH3013-001	LCD CASE		1		
44	FSJK3018-001	LCD LENS(FRONT)		1		
45	FSKS3006-001	LENS CASE		1		
46	QNZ0089-001	RUBBER CONNE		1		
51	FSKM3012-001	REAR BRACKET	KD-SX838R ONLY	1		
	FSKM3012-002	REAR BRACKET	KD-S707R/S737R	1		
52	FSKL4013-002	IC BRACKET		1		
53	FSKL4015-002	REG BRACKET		1		
54	SDST2606Z	SCREW	ANT	1		

BLOCK NO.

△	REF.	PARTS NO.	PARTS NAME	REMARKS	QTY	SUFFIX	CLR
	55	SDSF3006Z	SCREW	KD-S737R/SX838R	1		
	56	SDST2606Z	SCREW	TR	1		
	57	FSKL4014-002	HEAT SINK		1		
	58	FSYH4047-001			1		
	59	FSJK3019-001	LCD LENS(REAR)		1		
	61	FSYH4051-001	SPACER		1		

CD Mechanism M 2 M M



■ Parts List

BLOCK NO. M2MM

△	REF.	PARTS NO.	PARTS NAME	REMARKS	QTY	SUFFIX	CLR
	1	30310101T	FRAME		1		
	2	30310103T	DANPER PIN		2		
	3	30310107T	UPPER PLATE		1		
	4	30310108T	SEL STOP PLATE		1		
	5	30310109T	SEL ARM (L)		1		
	6	30310110T	SEL ARM (R)		1		
	7	30310133T	S ARM SPRING		2		
	8	30310112T	TRIG LEVER		1		
	9	30310114T	TRIG PLATE		1		
	10	30310115T	TRIG PL SPRING		1		
	11	30310116T	TRIG ARM		1		
	12	30310117T	FIX ARM (L)		1		
	13	30310118T	FIX ARM (R)		1		
	14	30310119T	FIX PLATE (L)		1		
	15	30310120T	FIX PLATE (R)		1		
	16	30310121T	LDG GEAR (6)		1		
	17	30310122T	LDG GEAR (6)SP		1		
	18	30310124T	S.L ARM		1		
	19	30310125T	S.L ARM SPRING		1		
	20	30310126T	REAR DAM BKT(J)		1		
	21	30310127T	FPC GUIDE		1		
	22	30310128T	HUNG UP SP (F)		2		
	23	30310129T	HUNG UP SP (R)		2		
	24	30310130T	LEVEL SPRING		1		
	29	30300510T	PU GEAR(B)		1		
	30	30310501T	TTB		1		
	31	-----	TURN TABLE	D	1		
	32	30310503T	FMB		1		
	33	30310504T	FD GR BRACKET		1		
	34	-----	FD GEAR (A)		1		
	35	-----	FD GEAR (C)	D	1		
	36	30310538T	PU SHAFT		1		
	37	-----	FD SCREW	D	1		
	38	30310510T	THRUST SPRING		1		
	39	30310511T	PU M NUT		1		
	40	30310512T	NUT PUSH SPR PL		1		
	41	30310513T	CLP ARM		1		
	42	30310514T	CLP ARM SPRING		1		
	43	30310515T	CLAMPER		1		
	46	30310521T	LOCK PIN		3		
	47	30310522T	LOCK PIN BL		1		
	48	30310523T	CLAMPER PLATE		1		
	49	30310524T	DAMPER (J)		3		
	50	30310525T	CLP ARM SPR (L)		1		
	51	30310536T	STOPPER SPRING		1		
	54	-----	FEED MOTOR	FF030PK-09210	2		
	55	-----	SPINDLE MOTOR	D	1		
	56	64180404T	DET SWITCH	ESE11HS2	1		
	57	OPTIMA-720A1	CD.PICK UNIT		1		
	61	11050210T	FELT		1		
	62	19501403T	WIRE CLAMPER		2		
	63	30311019T	PICK UP FPC(J)		1		
	64	30311018T	CONNECTER PCB(J)		1		
	65	30311022T	WIRE (5P-J)		1		

BLOCK NO. M2MM

REF.	PARTS NO.	PARTS NAME	REMARKS	QTY	SUFFIX	CLR
66	30311023T	WIRE (LD-J)		1		
67	30311006T	WIRE (FD)		1		
68	30311007T	WIRE (RS)		1		
70	64180402T	DET SWITCH	ESE22MH1	2		
71	64180403T	DET SWITCH	ESE22MH3	2		
72	68150235T	CONNECTOR	TKC-F14P-J3	1		
73	68170224T	CONNECTOR(15P)	6208010115	1		
74	68150237T	CONNECTOR(12P)		1		
78	-----	LDG PULLEY	D	1		
79	30311105T	SOPPORT PLATE		1		
80	30311108T	GR MT BLK		1		
81	30311109T	LDG GEAR (2)		1		
82	30311110T	LDG GEAR (3)		1		
83	-----	LDG GEAR (4)	D	1		
84	30311112T	LDG GEAR (5)		1		
85	-----	LDG GEAR ARM	D	1		
86	30311114T	LDG ROLLER		2		
87	-----	LDG RLR SHAFT	D	1		
88	30311118T	L.P SPRING (L)		1		
89	30311119T	L.P SPRING (R)		1		
90	30311123T	SW PCB		1		
91	30311124T	SW ACTUATOR		1		
92	30311129T	LDG BELT		1		
93	30311130T	FRONT BRKT (J)		1		
100	9C0620503T	C B TAP SCREW	M2X5	12		
101	9C2020401T	C SCREW TS.G	M2X4	5		
102	9C4320403T	C B TAP SCREW	M2X4	4		
103	9C0117223T	SCREW	M1.7X2.2	2		
104	9C0317803T	C SCREW	M1.7X8	2		
105	9C4220201T	C TAP SCREW S3	M2X2	1		
106	9C4420003T	C TAP SCREW B3	M2X10	1		
107	9C4420503T	C TAP SCREW B3	M2X5	2		
108	9P0220031T	TAMS SCREW	M2X4	2		
112	-----	POLY WASHER	D	1		
113	9W0330276T	POLY WASHER	2.9X5X0.3	2		
114	-----	WAVE WASHER	D	1		
115	-----	LUMILAR WASHER	D	1		
116	9W0725030T	LUMILAR WASHER		1		
117	9W0640030T	WASHER		1		
130	303105301T	FFED MOTOR ASSY	NO.34,54	1		
131	303105302T	SP MOTOR ASSY	NO.31,55,112	1		
132	303105303T	FEED SCREW ASSY	NO.35,37	1		
133	303111301T	LDG MOTOR ASSY	NO.54,78	1		
134	303111302T	RDG RLR SFT ASY	NO.83,85,87 NO.114,115	1 1		

BLOCK NO. 01111111

A	REF.	PARTS NO.	PARTS NAME	REMARKS	SUFFIX
	BZ871	GAN0009-001Z	BUZZER	KD-SX838R ONLY	
C	1	NCB21HK-473AY	C CAPACITOR	.067MF 10% 25V	
C	2	QER41AM-107	E-CAPACITOR	.10MF 20% 50V	
C	4	NCT21HC-104ZN	C CAPACITOR	5.0PF +50:-10% 16V	
C	5	NCS21HJ-101AY	C-CAPACITOR	100PF 5% 50V	
C	6	NDC21HJ-100X	C-CAPACITOR		
C	7	QEK41CM-106	E CAPACITOR	10MF 20% 16V	
C	12	NCB21HK-103AY	C CAPACITOR	.010MF 10% 50V	
C	51	QER41AM-227N	E-CAPACITOR	220MF 20% 10V	
C	52	QER41HM-225	E-CAPACITOR	2.2MF 20% 50V	
C	53	NCB21HK-102AY	C CAPACITOR	1000PF 10% 50V	
C	54	NCB21HK-333AY	C CAPACITOR	.033MF 10% 50V	
C	55	NCB21HK-822AY	C CAPACITOR	8200PF 10% 50V	
C	56	QEK41HM-474	E CAPACITOR	.47MF 20% 50V	
C	57	NCS21HJ-221AY	C CAPACITOR	220PF 5% 50V	
C	101	QER41HM-105	E-CAPACITOR	1.0MF 20% 50V	
C	102	NCB21HK-102AY	C CAPACITOR	1000PF 10% 50V	
C	103	QER41HM-105	E-CAPACITOR	1.0MF 20% 50V	
C	104	NCB21HK-103AY	C CAPACITOR	.010MF 10% 50V	
C	111	QEK41HM-105	E-CAPACITOR	KD-SX838R ONLY	
C	113	QFLA1HJ-822ZM	M-CAPACITOR	8200PF 5% 50V	
C	114	QFV11HJ-154AZM	TF CAPACITOR	.15MF 5% 50V	
C	115	QEK41HM-224	E-CAPACITOR	.22MF 20% 50V	
C	116	QFV41HJ-333	TF CAPACITOR	.033MF 5% 50V	
C	117	QFLA1HJ-562ZM	M-CAPACITOR	5600PF 5% 50V	
C	118	QEK41HM-225	E-CAPACITOR	2.2MF 20% 50V	
C	119	QEK41HM-225	E-CAPACITOR	2.2MF 20% 50V	
C	141	QER41HM-105	E-CAPACITOR	1.0MF 20% 50V	
C	142	QER41HM-105	E-CAPACITOR	1.0MF 20% 50V	
C	143	NCS21HJ-391AY	C CAPACITOR	390PF 5% 50V	
C	144	NCS21HJ-391AY	C CAPACITOR	390PF 5% 50V	
C	151	QEK41EM-475	E-CAPACITOR	4.7MF 20% 25V	
C	152	NCS21HJ-821AY	C CAPACITOR	820PF 5% 50V	
C	153	NCS21HJ-121AY	C CAPACITOR	120PF 5% 50V	
C	155	QEKJ0JM-476Z	E-CAPACITOR	47MF 20% 6.3V	
C	156	QEK41AM-107ZN	E-CAPACITOR	100MF 20% 10V	
C	201	QER41HM-105	E-CAPACITOR	1.0MF 20% 50V	
C	202	NCB21HK-102AY	C CAPACITOR	1000PF 10% 50V	
C	203	QER41HM-105	E-CAPACITOR	1.0MF 20% 50V	
C	211	QEK41HM-105	E-CAPACITOR	KD-SX838R ONLY	
C	213	QFLA1HJ-822ZM	M-CAPACITOR	8200PF 5% 50V	
C	214	QFV11HJ-154AZM	TF CAPACITOR	.15MF 5% 50V	
C	215	QEK41HM-224	E-CAPACITOR	.22MF 20% 50V	
C	216	QFV41HJ-333	TF CAPACITOR	.033MF 5% 50V	
C	217	QFLA1HJ-562ZM	M-CAPACITOR	5600PF 5% 50V	
C	218	QEK41HM-225	E-CAPACITOR	2.2MF 20% 50V	
C	219	QEK41HM-225	E-CAPACITOR	2.2MF 20% 50V	
C	241	QER41HM-105	E-CAPACITOR	1.0MF 20% 50V	
C	242	QER41HM-105	E-CAPACITOR	1.0MF 20% 50V	
C	243	NCS21HJ-391AY	C CAPACITOR	390PF 5% 50V	
C	244	NCS21HJ-391AY	C CAPACITOR	390PF 5% 50V	
C	251	QEK41EM-475	E-CAPACITOR	4.7MF 20% 25V	
C	252	NCS21HJ-821AY	C CAPACITOR	820PF 5% 50V	
C	253	NCS21HJ-121AY	C CAPACITOR	120PF 5% 50V	
C	255	QEKJ0JM-476Z	E-CAPACITOR	47MF 20% 6.3V	

BLOCK NO. 01111111

A	REF.	PARTS NO.	PARTS NAME	REMARKS	SUFFIX
C	501	QER41AM-107	E-CAPACITOR	100MF 20% 10V	
C	502	QER41AM-107	E-CAPACITOR	100MF 20% 10V	
C	503	NCB21HK-103AY	C CAPACITOR	.010MF 10% 50V	
C	504	NCS21HC-3R0AY	C CAPACITOR	3.0PF 5% 50V	
C	505	NCB21HK-104	C CAPACITOR	.10MF 10% 25V	
C	506	QEK41HM-105	E-CAPACITOR	1.0MF 20% 50V	
C	507	NCS21HJ-101AY	C-CAPACITOR	100PF 5% 50V	
C	508	NCB21HK-273AY	C CAPACITOR	.027MF 10% 50V	
C	509	NCB21HK-472AY	C CAPACITOR	4700PF 10% 50V	
C	510	NCB21HK-103AY	C CAPACITOR	.010MF 10% 50V	
C	511	QEK41AM-107ZN	E-CAPACITOR	100MF 20% 10V	
C	512	NCB21HK-103AY	C CAPACITOR	.010MF 10% 50V	
C	513	NCB21HK-104	C CAPACITOR	.10MF 10% 25V	
C	514	NCB21HK-473AY	C CAPACITOR	.047MF 10% 25V	
C	515	NCB21CK-224AY	C CAPACITOR	.22MF 10% 16V	
C	516	NCS21HJ-470AY	C-CAPACITOR	47PF 5% 50V	
C	517	NCS21HJ-561AY	C-CAPACITOR	560PF 5% 50V	
C	518	NCB21HK-223AY	C CAPACITOR	.022MF 10% 50V	
C	519	NCB21HK-223AY	C CAPACITOR	.022MF 10% 50V	
C	520	NCB21HK-102AY	C CAPACITOR	1000PF 10% 50V	
C	521	NCB21HK-102AY	C CAPACITOR	1000PF 10% 50V	
C	522	NCB21HK-182AY	C CAPACITOR	1800PF 10% 50V	
C	523	NCB21HK-122AY	C CAPACITOR	1200PF 10% 50V	
C	524	NCS21HJ-680AY	C-CAPACITOR	68PF 5% 50V	
C	527	NCS21HJ-331AY	C CAPACITOR	330PF 5% 50V	
C	528	NCB21HK-223AY	C CAPACITOR	.022MF 10% 50V	
C	531	NDC21HJ-100X	C-CAPACITOR		
C	532	NDC21HJ-100X	C-CAPACITOR		
C	533	NCB21HK-103AY	C CAPACITOR		
C	534	QER41AM-107	E-CAPACITOR	.010MF 10% 50V	
C	535	NCB21HK-103AY	C CAPACITOR	100MF 20% 10V	
C	536	QER41AM-107	E-CAPACITOR	.010MF 10% 50V	
C	537	NCB21HK-103AY	C CAPACITOR	.010MF 10% 50V	
C	541	NCS21HJ-102AY	C CAPACITOR	1000PF 5% 50V	
C	542	NCB21HK-223AY	C CAPACITOR	.022MF 10% 50V	
C	543	NCB21HK-223AY	C CAPACITOR	.022MF 10% 50V	
C	544	NCB21HK-123AY	C CAPACITOR	.012MF 10% 50V	
C	545	NCB21CK-334AY	C-CAPACITOR	.33MF 10% 16V	
C	546	QER41AM-107	E-CAPACITOR	100MF 20% 10V	
C	547	NCB21HK-103AY	C CAPACITOR	.010MF 10% 50V	
C	548	NCB21CK-334AY	C-CAPACITOR	.33MF 10% 16V	
C	549	NCB21CK-334AY	C-CAPACITOR	.33MF 10% 16V	
C	551	NCB21HK-103AY	C CAPACITOR	.010MF 10% 50V	
C	563	NCB21HK-273AY	C CAPACITOR	.027MF 10% 50V	
C	564	NCB21HK-223AY	C CAPACITOR	.022MF 10% 50V	
C	581	NCB21HK-103AY	C CAPACITOR	.010MF 10% 50V	
C	582	QER41AM-227N	E-CAPACITOR	220MF 20% 10V	
C	583	QEK41CM-226	E CAPACITOR	22MF 20% 16V	
C	701	NDC21HJ-270X	C-CAPA. C-M		
C	702	NDC21HJ-270X	C-CAPA. C-M		
C	703	NCB21HK-104	C CAPACITOR	.10MF 10% 25V	
C	704	QEKJ0JM-107Z	E CAPACITOR	100MF 20% 6.3V	
C	707	NCB21HK-103AY	C CAPACITOR	.010MF 10% 50V	
C	708	QEKJ0JM-107Z	E CAPACITOR	100MF 20% 6.3V	

BLOCK NO. 01111111

A	REF.	PARTS NO.	PARTS NAME	REMARKS	SUFFIX
	D 951	1SS133T-91	SI DIODE		
	D 952	1SS133T-91	SI DIODE		
	D 953	MA152WK-X	SI DIODE		
	D 961	1N5401TU-15	DIODE		
	D 962	MA152WK-X	SI DIODE		
	D 963	MA152WA-TX	DIODE		
	D 967	1SS133T-91	SI DIODE		
	D 977	1SS133T-91	SI DIODE		
	D 978	MTZJT-9111C	ZENER DIODE		
	D 979	MTZJT-915.6B	ZENER DIODE		
	D 980	MA152WK-X	SI DIODE		
	IC151	NJM4565M	IC		
	IC501	AN8806SB	IC C.M		
	IC531	MN662748RPM	IC		
	IC561	BA6898FP-X	IC		
	IC582	BA6218	IC		
	IC701	UPD178016AGC514	IC		
	IC761	BU1923F-X	IC		
	IC771	HD74HC126FP-X	IC		
	IC911	TEA6320T	IC		
	IC941	TD8568Q/S1	IC		
	IC961	BA4901A-V3	IC		
	J 1	QNZ0009-001	CAR ANT JACK		
	J 771	VMC0315-101	CONNECTOR		
	J 931	VMJ3023-001	PIN JACK		
	J 931	VMJ3022-001	PIN JACK		
	L 531	QQL244J-4R7Z	INDUCTOR		
	L 541	QQL244J-4R7Z	INDUCTOR		
	L 701	QQL244J-4R7Z	INDUCTOR		
	L 961	QQR0703-001	CHOKO COIL		
	Q 2	UN2211	TRANSISTOR		
	Q 3	2SD601A(CR)	TRANSISTOR		
	Q 4	UN2111	TRANSISTOR		
	Q 5	2SB709A(Q)	TRANSISTOR		
	Q 6	2SB81577-X	TRANSISTOR		
	Q 51	2SD601A(CR)	TRANSISTOR		
	Q 52	2SD601A(CR)	TRANSISTOR		
	Q 53	2SD601A(CR)	TRANSISTOR		
	Q 54	2SC3661	TRANSISTOR		
	Q 101	2SD601A(CR)	TRANSISTOR		
	Q 102	UN2111	TRANSISTOR		
	Q 131	2SD1048X7T-HL	TRANSISTOR		
	Q 132	2SD1048X7T-HL	TRANSISTOR		
	Q 201	2SD601A(CR)	TRANSISTOR		
	Q 231	2SD1048X7T-HL	TRANSISTOR		
	Q 232	2SD1048X7T-HL	TRANSISTOR		
	Q 501	2SB1322(CRS)	TRANSISTOR		
	Q 583	2SB1322(RS)	TRANSISTOR		
	Q 751	UN2211	TRANSISTOR		
	Q 871	UN2211	TRANSISTOR		
	Q 951	2SD601A(CR)	TRANSISTOR		
	Q 951	2SC2412KK1	TRANSISTOR		
	Q 961	2SB1322(CRS)	TRANSISTOR		
	Q 962	2SB709A(Q)	TRANSISTOR		

BLOCK NO. 01111111

A	REF.	PARTS NO.	PARTS NAME	REMARKS	SUFFIX
	C 709	NCB21HK-103AY	C CAPACITOR	.010MF 10% 50V	
	C 710	NCB21HK-103AY	C CAPACITOR	.010MF 10% 50V	
	C 711	NCB21HK-103AY	C CAPACITOR	.010MF 10% 50V	
	C 761	NCB21HK-223AY	C CAPACITOR	.022MF 10% 25V	
	C 762	NCB21HK-541AY	C CAPACITOR	.560PF 5% 50V	
	C 763	QEK41HM-225	E.CAPACITOR	2.2MF 20% 50V	
	C 764	NCB21CH-820AY	C CAPACITOR	82PF +50:-10% 16V	
	C 765	NCB21CH-470AY	C CAPACITOR	47PF +50:-10% 16V	
	C 766	QERF1AM-476Z	E.CAPACITOR	47MF 20% 10V	
	C 767	NCB21HK-103AY	C CAPACITOR	.010MF 10% 50V	
	C 771	NCB21HK-473AY	C CAPACITOR	KD-SX838R ONLY	
	C 772	NCB21HK-103AY	C CAPACITOR	KD-SX838R ONLY	
	C 871	QERF1AM-104ZN	E.CAPACITOR	KD-SX838R ONLY	
	C 911	QERF1AM-476Z	E.CAPACITOR	47MF 20% 10V	
	C 912	QER41AM-107	E.CAPACITOR	100MF 20% 10V	
	C 913	QEKF1CM-107ZN	E.CAPACITOR	100MF 20% 16V	
	C 931	NCB21HK-473AY	C CAPACITOR	KD-SX838R ONLY	
	C 932	NCB21HK-473AY	C CAPACITOR	KD-S737R/SX838R	
	C 940	QER41CM-106	E.CAPACITOR	10MF 20% 16V	
	C 941	NCB21HK-473AY	C CAPACITOR	.047MF 10% 25V	
	C 951	QEK41HM-105	E.CAPACITOR	KD-S737R/SX838R	
	C 952	NCB21HK-473AY	C CAPACITOR	KD-S737R/SX838R	
	C 953	QEK41CM-226	E.CAPACITOR	KD-S737R/SX838R	
	C 954	QEK41HM-224	E.CAPACITOR	KD-S737R/SX838R	
	C 961	QEZ0338-228	E.CAPACITOR	2200MF	
	C 962	QER41HM-225	E.CAPACITOR	2.2MF 20% 50V	
	C 964	QER41AM-227N	E.CAPACITOR	220MF 20% 10V	
	C 965	QER41AM-227N	E.CAPACITOR	220MF 20% 10V	
	C 966	NCB21HK-103AY	C CAPACITOR	.010MF 10% 50V	
	C 967	QEK41CM-226	E.CAPACITOR	22MF 20% 16V	
	C 968	QER41CM-106	E.CAPACITOR	10MF 20% 16V	
	C 969	QEK41CM-106	E.CAPACITOR	10MF 20% 16V	
	C 970	NCB21HK-104	C CAPACITOR	.10MF 10% 25V	
	C 977	QER41CM-226	E.CAPACITOR	22MF 20% 16V	
	C 978	QEKJ0JM-476Z	E.CAPACITOR	47MF 20% 6.3V	
	CJ701	VMC0334-001	CONNECTOR		
	CP501	QGB1214J1-14S	CONNECTOR		
	CP502	QGB1214J1-12S	CONNECTOR		
	CP961	QNZ0112-001	CAR CONNECTOR		
	D 1	1SS133T-91	SI DIODE		
	D 2	1SS133T-91	SI DIODE		
	D 3	MA152WK-X	SI DIODE		
	D 51	MA3100(CL)	ZENER DIODE		
	D 101	MA152WK-X	SI DIODE		
	D 131	MA152WA-TX	DIODE		
	D 231	MA152WA-TX	DIODE		
	D 581	DSK10C-E	DIODE		
	D 901	RB160L-40-X	SB DIODE		
	D 902	RB160L-40-X	SB DIODE		
	D 903	RB160L-40-X	SB DIODE		
	D 904	RB160L-40-X	SB DIODE		
	D 905	RB160L-40-X	SB DIODE		
	D 906	RB160L-40-X	SB DIODE		
	D 907	RB160L-40-X	SB DIODE		
	D 908	RB160L-40-X	SB DIODE		

BLOCK NO. 01111111

REF.	PARTS NO.	PARTS NAME	REMARKS	SUFFIX
R 231	NRSA02J-222NY	MG RESISTOR	KD-S737R/SX838R	
R 232	NRSA02J-222NY	MG RESISTOR	KD-S737R/SX838R	
R 233	NRSA02J-101NY	MG RESISTOR	KD-S737R/SX838R	
R 234	NRSA02J-821NY	MG RESISTOR	820 5% 1/10W	
R 235	NRSA02J-101NY	MG RESISTOR	KD-SX838R ONLY	
R 236	NRSA02J-821NY	MG RESISTOR	KD-SX838R ONLY	
R 241	NRSA02J-823NY	MG RESISTOR	82K 5% 1/10W	
R 242	NRSA02J-823NY	MG RESISTOR	82K 5% 1/10W	
R 251	NRSA02J-223NY	MG RESISTOR	22K 5% 1/10W	
R 252	NRSA02J-333NY	MG RESISTOR	33K 5% 1/10W	
R 253	NRSA02J-123NY	RESISTOR	12K 5% 1/10W	
R 255	NRSA02J-152NY	MG RESISTOR	1.5K 5% 1/10W	
R 256	NRSA02J-223NY	MG RESISTOR	22K 5% 1/10W	
R 257	NRSA02J-223NY	MG RESISTOR	22K 5% 1/10W	
R 501	NRSA02J-220NY	MG RESISTOR	22 5% 1/10W	
R 502	NRSA02J-520NY	MG RESISTOR	22 5% 1/10W	
R 503	NRSA02J-392NY	MG RESISTOR	3.9K 5% 1/10W	
R 504	NRSA02J-563NY	RESISTOR	56K 5% 1/10W	
R 505	NRSA02J-563NY	RESISTOR	56K 5% 1/10W	
R 506	NRSA02J-123NY	RESISTOR	12K 5% 1/10W	
R 507	NRSA02J-123NY	RESISTOR	12K 5% 1/10W	
R 508	NRSA02J-123NY	RESISTOR	12K 5% 1/10W	
R 509	NRSA02J-123NY	RESISTOR	12K 5% 1/10W	
R 510	NRSA02J-105NY	MG RESISTOR	1.0M 5% 1/10W	
R 511	NRSA02J-224NY	RESISTOR	220K 5% 1/10W	
R 512	NRSA02J-223NY	MG RESISTOR	22K 5% 1/10W	
R 513	NRSA02J-104NY	MG RESISTOR	100K 5% 1/10W	
R 514	NRSA02J-223NY	MG RESISTOR	22K 5% 1/10W	
R 515	NRSA02J-154NY	RESISTOR	150K 5% 1/10W	
R 516	NRSA02J-274NY	MG RESISTOR	270K 5% 1/10W	
R 517	NRSA02J-822NY	MG RESISTOR	8.2K 5% 1/10W	
R 518	NRSA02J-822NY	MG RESISTOR	8.2K 5% 1/10W	
R 519	NRSA02J-102NY	MG RESISTOR	1.0K 5% 1/10W	
R 531	NRS181J-101NY	MG RESISTOR	100 5% 1/8W	
R 541	NRSA02J-333NY	MG RESISTOR	33K 5% 1/10W	
R 542	NRSA02J-104NY	MG RESISTOR	100K 5% 1/10W	
R 543	NRSA02J-105NY	MG RESISTOR	1.0M 5% 1/10W	
R 544	NRSA02J-104NY	MG RESISTOR	100K 5% 1/10W	
R 545	NRSA02J-272NY	MG RESISTOR	2.7K 5% 1/10W	
R 546	NRSA02J-331NY	MG RESISTOR	330 5% 1/10W	
R 548	NRSA02J-334NY	RESISTOR	330K 5% 1/10W	
R 549	NRSA02J-272NY	MG RESISTOR	2.7K 5% 1/10W	
R 551	NRSA02J-221NY	MG RESISTOR	220 5% 1/10W	
R 552	NRSA02J-102NY	MG RESISTOR	1.0K 5% 1/10W	
R 553	NRSA02J-102NY	MG RESISTOR	1.0K 5% 1/10W	
R 554	NRSA02J-102NY	MG RESISTOR	1.0K 5% 1/10W	
R 555	NRSA02J-102NY	MG RESISTOR	1.0K 5% 1/10W	
R 556	NRSA02J-102NY	MG RESISTOR	1.0K 5% 1/10W	
R 557	NRSA02J-102NY	MG RESISTOR	1.0K 5% 1/10W	
R 558	NRSA02J-102NY	MG RESISTOR	1.0K 5% 1/10W	
R 559	NRSA02J-102NY	MG RESISTOR	1.0K 5% 1/10W	
R 561	NRSA02J-183NY	MG RESISTOR	18K 5% 1/10W	
R 562	NRSA02J-272NY	MG RESISTOR	2.7K 5% 1/10W	
R 563	NRSA02J-OR0NY	MG RESISTOR	5% 1/10W	
R 564	NRSA02J-183NY	MG RESISTOR	18K 5% 1/10W	

BLOCK NO. 01111111

REF.	PARTS NO.	PARTS NAME	REMARKS	SUFFIX
Q 963	UN2213	TRANSISTOR		
Q 970	2SD601A(R)	TRANSISTOR		
Q 977	UN2111	TRANSISTOR		
Q 978	UN2111	TRANSISTOR		
Q 979	UN2111	TRANSISTOR		
Q 988	UN2211	TRANSISTOR	KD-SX838 ONLY	
Q 989	UN2211	TRANSISTOR	KD-SX838 ONLY	
Q 990	UN2211	TRANSISTOR	KD-SX838 ONLY	
R 1	NRSA02J-104NY	MG RESISTOR	100 5% 1/10W	
R 2	NRSA02J-822NY	MG RESISTOR	8.2K 5% 1/10W	
R 3	NRSA02J-473NY	MG RESISTOR	4.7K 5% 1/10W	
R 4	NRSA02J-473NY	MG RESISTOR	4.7K 5% 1/10W	
R 5	NRSA02J-332NY	MG RESISTOR	3.3K 5% 1/10W	
R 6	NRS181J-8R2NY	MG RESISTOR	8.2 5% 1/8W	
R 7	NRSA02J-473NY	MG RESISTOR	4.7K 5% 1/10W	
R 8	NRSA02J-473NY	MG RESISTOR	4.7K 5% 1/10W	
R 51	NRS181J-471NY	MG RESISTOR	4.70 5% 1/8W	
R 52	NRSA02J-152NY	MG RESISTOR	1.5K 5% 1/10W	
R 53	NRSA02J-103NY	MG RESISTOR	10K 5% 1/10W	
R 54	NRSA02J-102NY	MG RESISTOR	1.0K 5% 1/10W	
R 55	NRSA02J-102NY	MG RESISTOR	1.0K 5% 1/10W	
R 56	NRSA02J-102NY	MG RESISTOR	1.0K 5% 1/10W	
R 57	NRSA02J-332NY	MG RESISTOR	3.3K 5% 1/10W	
R 58	NRSA02J-102NY	MG RESISTOR	1.0K 5% 1/10W	
R 59	NRSA02J-102NY	MG RESISTOR	1.0K 5% 1/10W	
R 101	NRSA02J-682NY	MG RESISTOR	6.8K 5% 1/10W	
R 102	NRSA02J-223NY	MG RESISTOR	22K 5% 1/10W	
R 103	NRSA02J-472NY	MG RESISTOR	4.7K 5% 1/10W	
R 111	NRSA02J-224NY	RESISTOR	220K 5% 1/10W	
R 112	NRSA02J-223NY	MG RESISTOR	22K 5% 1/10W	
R 113	NRSA02J-223NY	MG RESISTOR	2.2K 5% 1/10W	
R 118	NRSA02J-473NY	MG RESISTOR	4.7K 5% 1/10W	
R 119	NRSA02J-473NY	MG RESISTOR	4.7K 5% 1/10W	
R 131	NRSA02J-222NY	MG RESISTOR	KD-S737R/SX838R	
R 132	NRSA02J-222NY	MG RESISTOR	KD-S737R/SX838R	
R 135	NRSA02J-101NY	MG RESISTOR	KD-S737R/SX838R	
R 134	NRSA02J-821NY	MG RESISTOR	820 5% 1/10W	
R 135	NRSA02J-101NY	MG RESISTOR	KD-SX838R ONLY	
R 136	NRSA02J-821NY	MG RESISTOR	KD-SX838R ONLY	
R 141	NRSA02J-823NY	MG RESISTOR	82K 5% 1/10W	
R 142	NRSA02J-823NY	MG RESISTOR	82K 5% 1/10W	
R 151	NRSA02J-223NY	MG RESISTOR	22K 5% 1/10W	
R 152	NRSA02J-333NY	MG RESISTOR	33K 5% 1/10W	
R 153	NRSA02J-123NY	RESISTOR	12K 5% 1/10W	
R 155	NRSA02J-152NY	MG RESISTOR	1.5K 5% 1/10W	
R 156	NRSA02J-223NY	MG RESISTOR	22K 5% 1/10W	
R 157	NRSA02J-223NY	MG RESISTOR	22K 5% 1/10W	
R 201	NRSA02J-682NY	MG RESISTOR	6.8K 5% 1/10W	
R 202	NRSA02J-223NY	MG RESISTOR	22K 5% 1/10W	
R 203	NRSA02J-472NY	MG RESISTOR	4.7K 5% 1/10W	
R 211	NRSA02J-224NY	RESISTOR	220K 5% 1/10W	
R 212	NRSA02J-223NY	MG RESISTOR	22K 5% 1/10W	
R 213	NRSA02J-222NY	MG RESISTOR	2.2K 5% 1/10W	
R 218	NRSA02J-473NY	MG RESISTOR	4.7K 5% 1/10W	
R 219	NRSA02J-473NY	MG RESISTOR	4.7K 5% 1/10W	

BLOCK NO. 01111111

REF.	PARTS NO.	PARTS NAME	REMARKS	SUFFIX
R 772	NRSA02J-104NY	MG RESISTOR	100K 5% 1/10W	
R 773	NRSA02J-223NY	MG RESISTOR	22K 5% 1/10W	
R 774	NRSA02J-103NY	MG RESISTOR	KD-SX838R ONLY	
R 775	NRSA02J-103NY	MG RESISTOR	KD-SX838R ONLY	
R 776	NRSA02J-104NY	MG RESISTOR	100K 5% 1/10W	
R 777	NRSA02J-104NY	MG RESISTOR	KD-SX838R ONLY	
R 778	NRSA02J-103NY	MG RESISTOR	KD-SX838R ONLY	
R 779	NRSA02J-104NY	MG RESISTOR	100K 5% 1/10W	
R 781	NRSA02J-104NY	MG RESISTOR	KD-SX838R ONLY	
R 871	NRSA02J-102NY	MG RESISTOR	KD-SX838R ONLY	
R 911	NRSA02J-271NY	MG RESISTOR	270 5% 1/10W	
R 912	NRSA02J-271NY	MG RESISTOR	270 5% 1/10W	
R 913	NRSA02J-100NY	MG RESISTOR	10 5% 1/10W	
R 951	NRSA02J-473NY	MG RESISTOR	47K 5% 1/10W	
R 952	NRSA02J-123NY	RESISTOR	12K 5% 1/10W	
R 953	NRSA02J-184NY	MG RESISTOR	KD-S737R/SX838R	
R 954	NRSA02J-223NY	MG RESISTOR	KD-S737R/SX838R	
R 955	NRSA02J-101NY	MG RESISTOR	KD-S737R/SX838R	
R 956	NRSA02J-102NY	MG RESISTOR	KD-S737R/SX838R	
R 957	NRSA02J-274NY	MG RESISTOR	KD-S737R/SX838R	
R 961	QR014DJ-470X	C RESISTOR	47 1/1W	
R 962	NRSA02J-103NY	MG RESISTOR	10K 5% 1/10W	
R 963	NRSA02J-472NY	MG RESISTOR	4.7K 5% 1/10W	
R 964	NRSA02J-473NY	MG RESISTOR	47K 5% 1/10W	
R 965	NRSA02J-222NY	MG RESISTOR	2.2K 5% 1/10W	
R 967	NRSA02J-223NY	MG RESISTOR	22K 5% 1/10W	
R 970	NRSA02J-124NY	MG RESISTOR	120K 5% 1/10W	
R 971	NRSA02J-103NY	MG RESISTOR	10K 5% 1/10W	
R 972	NRS181J-222NY	MG RESISTOR	2.2K 5% 1/8W	
R 973	NRSA02J-0R0NY	MG RESISTOR	5% 1/10W	
R 977	NRSA02J-472NY	MG RESISTOR	4.7K 5% 1/10W	
R 989	NRS181J-561NY	MG RESISTOR	KD-SX838 ONLY	
R 990	NRS181J-561NY	MG RESISTOR	KD-SX838 ONLY	
R 991	NRS181J-561NY	MG RESISTOR	KD-SX838 ONLY	
TU	1 QAU0066-001	TUNER		
W	1 VWE370-054K4K	UL VINYL WIRE		
X	531 VCA5016-934V	CRYSTAL		
X	701 VCA5026-001Z	CRYSTAL		
X	761 VCA5057-001	CRYSTAL		

BLOCK NO. 01111111

REF.	PARTS NO.	PARTS NAME	REMARKS	SUFFIX
R 565	NRSA02J-222NY	MG RESISTOR	2.2K 5% 1/10W	
R 566	NRSA02J-0R0NY	MG RESISTOR	5% 1/10W	
R 567	NRSA02J-392NY	MG RESISTOR	3.9K 5% 1/10W	
R 568	NRSA02J-821NY	MG RESISTOR	820 5% 1/10W	
R 569	NRSA02J-472NY	MG RESISTOR	4.7K 5% 1/10W	
R 570	NRSA02J-821NY	MG RESISTOR	820 5% 1/10W	
R 571	NRSA02J-683NY	MG RESISTOR	68K 5% 1/10W	
R 581	NRS181J-2R2NY	MG RESISTOR	2.2 5% 1/8W	
R 582	NRS181J-2R2NY	MG RESISTOR	2.2 5% 1/8W	
R 583	NRSA02J-103NY	MG RESISTOR	10K 5% 1/10W	
R 584	NRSA02J-103NY	MG RESISTOR	10K 5% 1/10W	
R 701	NRSA02J-102NY	MG RESISTOR	1.0K 5% 1/10W	
R 702	NRSA02J-122NY	MG RESISTOR	1.2K 5% 1/10W	
R 703	NRSA02J-222NY	MG RESISTOR	2.2K 5% 1/10W	
R 704	NRSA02J-222NY	MG RESISTOR	2.2K 5% 1/10W	
R 705	NRSA02J-222NY	MG RESISTOR	2.2K 5% 1/10W	
R 706	NRSA02J-103NY	MG RESISTOR	10K 5% 1/10W	
R 709	NRSA02J-472NY	MG RESISTOR	KD-SX838R ONLY	
R 710	NRSA02J-472NY	MG RESISTOR	4.7K 5% 1/10W	
R 711	NRSA02J-472NY	MG RESISTOR	4.7K 5% 1/10W	
R 712	NRSA02J-472NY	MG RESISTOR	KD-SX838R ONLY	
R 713	NRSA02J-103NY	MG RESISTOR	10K 5% 1/10W	
R 714	NRSA02J-103NY	MG RESISTOR	10K 5% 1/10W	
R 715	NRSA02J-103NY	MG RESISTOR	10K 5% 1/10W	
R 716	NRSA02J-103NY	MG RESISTOR	10K 5% 1/10W	
R 717	NRSA02J-103NY	MG RESISTOR	10K 5% 1/10W	
R 718	NRSA02J-103NY	MG RESISTOR	10K 5% 1/10W	
R 719	NRSA02J-472NY	MG RESISTOR	4.7K 5% 1/10W	
R 720	NRSA02J-472NY	MG RESISTOR	4.7K 5% 1/10W	
R 721	NRSA02J-472NY	MG RESISTOR	4.7K 5% 1/10W	
R 722	NRSA02J-391NY	MG RESISTOR	390 5% 1/10W	
R 723	NRSA02J-104NY	MG RESISTOR	100K 5% 1/10W	
R 724	NRSA02J-472NY	MG RESISTOR	KD-SX838R ONLY	
R 725	NRSA02J-104NY	MG RESISTOR	100K 5% 1/10W	
R 726	NRSA02J-473NY	MG RESISTOR	47K 5% 1/10W	
R 727	NRSA02J-473NY	MG RESISTOR	47K 5% 1/10W	
R 728	NRSA02J-473NY	MG RESISTOR	47K 5% 1/10W	
R 729	NRSA02J-473NY	MG RESISTOR	47K 5% 1/10W	
R 730	NRSA02J-104NY	MG RESISTOR	100K 5% 1/10W	
R 731	NRSA02J-104NY	MG RESISTOR	100K 5% 1/10W	
R 732	NRSA02J-472NY	MG RESISTOR	4.7K 5% 1/10W	
R 733	NRSA02J-472NY	MG RESISTOR	4.7K 5% 1/10W	
R 734	NRSA02J-104NY	MG RESISTOR	KD-SX838R ONLY	
R 735	NRSA02J-104NY	MG RESISTOR	KD-S707R/S737R	
R 736	NRSA02J-473NY	MG RESISTOR	47K 5% 1/10W	
R 737	NRSA02J-473NY	MG RESISTOR	47K 5% 1/10W	
R 738	NRSA02J-103NY	MG RESISTOR	10K 5% 1/10W	
R 739	NRSA02J-473NY	MG RESISTOR	47K 5% 1/10W	
R 740	NRSA02J-473NY	MG RESISTOR	KD-S707R/SX838R	
R 741	NRSA02J-473NY	MG RESISTOR	KD-S737R ONLY	
R 751	NRSA02J-103NY	MG RESISTOR	10K 5% 1/10W	
R 761	NRSA02J-222NY	MG RESISTOR	2.2K 5% 1/10W	
R 762	NRSA02J-222NY	MG RESISTOR	2.2K 5% 1/10W	
R 763	NRSA02J-222NY	MG RESISTOR	2.2K 5% 1/10W	
R 771	NRSA02J-104NY	MG RESISTOR	KD-SX838R ONLY	

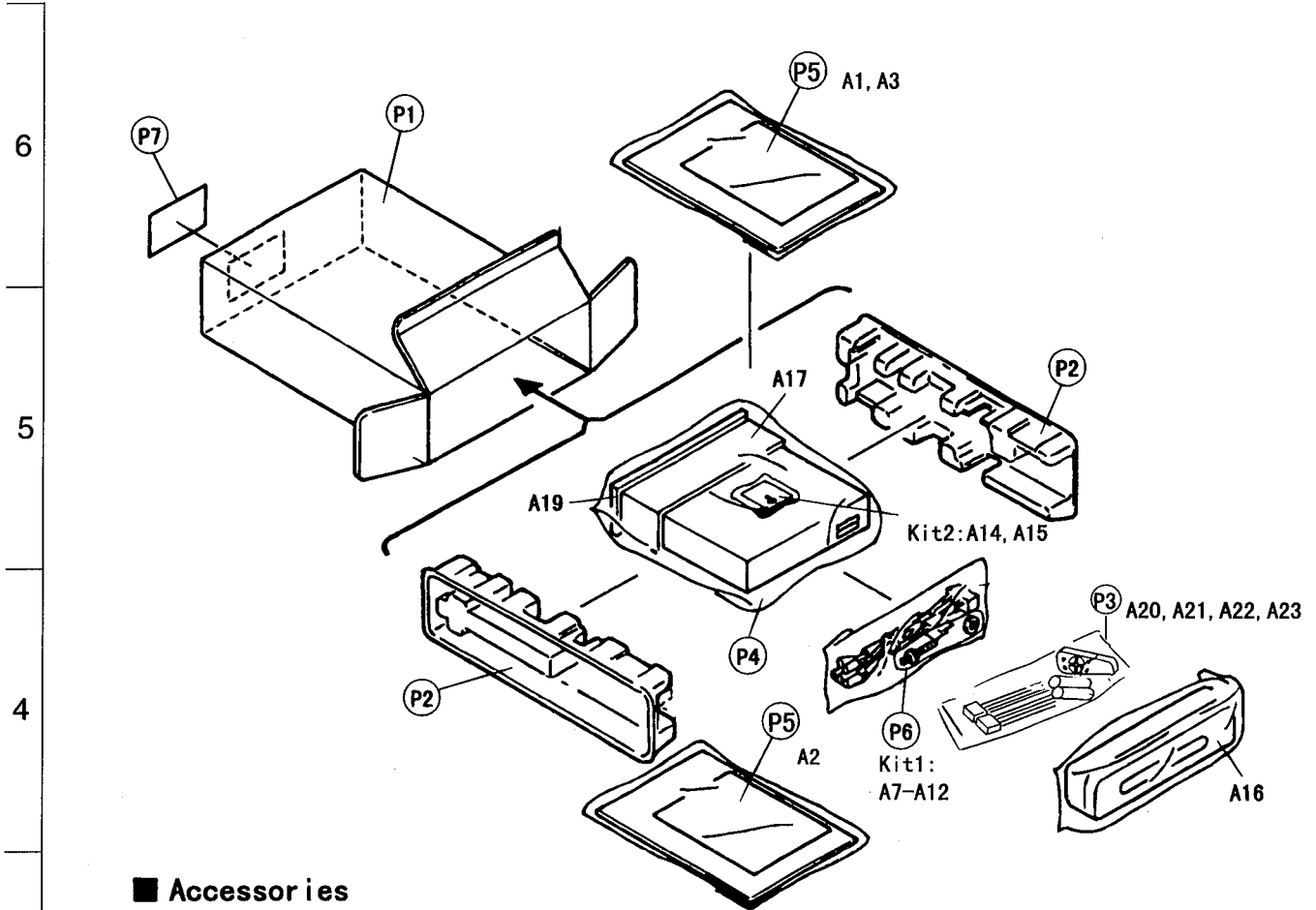
BLOCK NO. 02111111

A REF.	PARTS NO.	PARTS NAME	REMARKS	SUFFIX
R 613	NRSA02J-392NY	MG RESISTOR	3.9K 5% 1/10W	
R 614	NRSA02J-272NY	MG RESISTOR	2.7K 5% 1/10W	
R 615	NRSA02J-182NY	MG RESISTOR	1.8K 5% 1/10W	
R 616	NRSA02J-122NY	MG RESISTOR	1.2K 5% 1/10W	
R 617	NRSA02J-821NY	MG RESISTOR	820 5% 1/10W	
R 618	NRSA02J-821NY	MG RESISTOR	820 5% 1/10W	
R 619	NRSA02J-103NY	MG RESISTOR	10K 5% 1/10W	
R 620	NRS181J-821NY	MG RESISTOR	820 5% 1/8W	
R 621	NRS181J-221NY	MG RESISTOR	220 5% 1/8W	
R 622	NRS181J-221NY	MG RESISTOR	220 5% 1/8W	
R 623	NRS181J-221NY	MG RESISTOR	220 5% 1/8W	
R 624	NRS181J-221NY	MG RESISTOR	220 5% 1/8W	
R 625	NRS181J-221NY	MG RESISTOR	220 5% 1/8W	
R 626	NRS181J-221NY	MG RESISTOR	220 5% 1/8W	
R 627	NRS181J-561NY	MG RESISTOR	KD-SX838R ONLY	
R 627	NRS181J-221NY	MG RESISTOR	KD-S707R/S737R	
R 628	NRSA02J-473NY	MG RESISTOR	KD-SX838R ONLY	
R 629	NRS181J-561NY	MG RESISTOR	KD-SX838R ONLY	
R 630	NRSA02J-473NY	MG RESISTOR	KD-SX838R ONLY	
R 631	NRS181J-561NY	MG RESISTOR	KD-SX838R ONLY	
R 632	NRSA02J-473NY	MG RESISTOR	KD-SX838R ONLY	
R 632	NRSA02J-103NY	MG RESISTOR	KD-SX838R ONLY	
R 641	NRSA02J-470NYM	MG RESISTOR	KD-SX838R ONLY	
R 642	NRSA02J-332NY	MG RESISTOR	3.3K 5% 1/10W	
R 643	NRSA02J-332NY	MG RESISTOR	3.3K 5% 1/10W	
R 644	NRSA02J-332NY	MG RESISTOR	3.3K 5% 1/10W	
R 645	NRS181J-102NY	MG RESISTOR	1.0K 5% 1/8W	
R 646	NRSA02J-221NY	MG RESISTOR	220 5% 1/10W	
R 647	NRSA02J-392NY	RESISTOR	390K 5% 1/10W	
R 648	NRSA02J-513NY	MG RESISTOR	51K 5% 1/10W	
S 601	NSW0039-001X	TACT SW		
S 602	NSW0039-001X	TACT SW		
S 603	NSW0039-001X	TACT SW		
S 604	NSW0039-001X	TACT SW		
S 605	NSW0039-001X	TACT SW		
S 606	NSW0039-001X	TACT SW		
S 607	NSW0039-001X	TACT SW		
S 608	NSW0039-001X	TACT SW		
S 609	NSW0039-001X	TACT SW		
S 610	NSW0039-001X	TACT SW		
S 611	NSW0039-001X	TACT SW		
S 612	NSW0039-001X	TACT SW		
S 613	NSW0039-001X	TACT SW		
S 614	NSW0039-001X	TACT SW		
S 615	NSW0039-001X	TACT SW		
S 616	NSW0039-001X	TACT SW		
S 617	NSW0039-001X	TACT SW		
S 618	NSW0039-001X	TACT SW		
S 619	NSW0039-001X	TACT SW		
S 620	NSW0039-001X	TACT SW		
S 621	NSW0039-001X	TACT SW		
S 622	NSW0039-001X	TACT SW		

BLOCK NO. 02111111

A REF.	PARTS NO.	PARTS NAME	REMARKS	SUFFIX
C 601	ECSTOJY-475R	TS E CAPACITOR	.010MF 10% 50V	
C 602	NCS21HK-103AY	C CAPACITOR	680PF 5% 50V	
C 603	NCS21HJ-681AY	C CAPACITOR	KD-SX838R ONLY	
C 606	ECSTOJY-475R	TS E CAPACITOR		
CP701	VMC0335-001	CONNECTOR		
D 601	SML-210LT/LM/-X	LED		
D 602	SML-210FT/JKL/W	LED		
D 603	SML-210FT/JKL/W	LED		
D 604	SML-210FT/JKL/W	LED		
D 605	SML-210FT/JKL/W	LED		
D 606	SML-210FT/JKL/W	LED		
D 607	SML-210FT/JKL/W	LED		
D 608	SML-210FT/JKL/W	LED		
D 609	SML-210FT/JKL/W	LED		
D 610	SML-210FT/JKL/W	LED		
D 611	SML-210FT/JKL/W	LED		
D 612	SML-210FT/JKL/W	LED		
D 613	SML-210FT/JKL/W	LED		
D 614	SML-210FT/JKL/W	LED		
D 615	SML-210FT/JKL/W	LED		
D 616	SML-210FT/JKL/W	LED		
D 617	SML-210FT/JKL/W	LED		
D 618	SML-210FT/JKL/W	LED		
D 619	SML-210FT/JKL/W	LED		
D 620	SML-210FT/JKL/W	LED		
D 621	SML-020PDT-W	LED	KD-S707R/S737R	
D 622	SML-020PDT-W	LED	KD-SX838R ONLY	
D 623	SML-210FT/JKL/W	LED	KD-S707R/S737R	
D 624	SML-210FT/JKL/W	LED	KD-SX838R ONLY	
D 629	MA152WA-TX	DIODE		
D 630	MA152WK-X	SI DIODE		
D 631	MA152WA-TX	DIODE		
D 632	MA152WK-X	SI DIODE		
D 633	MA152WK-X	SI DIODE		
D 634	MA3047	ZENER DIODE		
IC601	LC75823E	IC		
IC602	MPM6938-V4	RM.RECEIVER		
PL601	QLL0024-001	PILOT LAMP	KD-SX838R	
PL602	QLL0024-001	PILOT LAMP		
Q 601	2SB709A(Q)	TRANSISTOR	KD-SX838R ONLY	
Q 602	2SB709A(Q)	TRANSISTOR	KD-SX838R ONLY	
Q 603	2SB709A(Q)	TRANSISTOR	KD-SX838R ONLY	
R 601	NRSA02J-392NY	MG RESISTOR	3.9K 5% 1/10W	
R 602	NRSA02J-272NY	MG RESISTOR	2.7K 5% 1/10W	
R 603	NRSA02J-182NY	MG RESISTOR	1.8K 5% 1/10W	
R 604	NRSA02J-122NY	MG RESISTOR	1.2K 5% 1/10W	
R 605	NRSA02J-821NY	MG RESISTOR	820 5% 1/10W	
R 606	NRSA02J-821NY	MG RESISTOR	820 5% 1/10W	
R 607	NRSA02J-392NY	MG RESISTOR	3.9K 5% 1/10W	
R 608	NRSA02J-272NY	MG RESISTOR	2.7K 5% 1/10W	
R 609	NRSA02J-182NY	MG RESISTOR	1.8K 5% 1/10W	
R 610	NRSA02J-122NY	MG RESISTOR	1.2K 5% 1/10W	
R 611	NRSA02J-821NY	MG RESISTOR	820 5% 1/10W	
R 612	NRSA02J-821NY	MG RESISTOR	820 5% 1/10W	

Packing Materials and Accessories



■ Accessories

<p>3</p> <p>A22 Remocon QAL0075-001 (KD-SX838R ONLY)</p> <p>A23 Battery R03UPTT/2STS (KD-SX838R ONLY)</p> <p>2</p>	<p>● SCREW KIT 1</p> <p>A7 Plug Nut VKZ4027-002</p> <p>A8 Mount Bolt VKH4871-001</p> <p>A9 Lock Nut VKZ4328-001</p> <p>A10 Washer WNS5000Z</p> <p>A11 Hook FSKL4010-002</p> <p>A12 Wire clamp QHX5080-001</p>	<p>1</p> <p>A14 Screw VKZ4777-001</p> <p>A15 Sheet FSYA4001-001</p>
--	---	---

A

B

C

D

E

■ Packing List

BLOCK NO.

△	REF.	PARTS NO.	PARTS NAME	REMARKS	QTY	SUFFIX	CLR
	P 1	VPC3833-S003	PACKING CASE	KD-S737R ONLY	1		
		VPC3834-S005	PACKING SASE	KD-S707R ONLY	1		
		VPC3832-S003	PACKING CASE	KD-SX838R ONLY	1		
	P 2	FSPH1013-001	PAPER CUSHION	L SIDE	2		
	P 3	QPGA010-03003	POLY.BAG		1		
	P 4	VPE3005-066	POLY BAG	SET	1		
	P 5	QPA01703505P	POLY BAG		2		
	P 6	QPA00801205	POLY BAG		1		
	P 7	VND3115-001	LABEL	FOR VND3111-207	1		

■ Accessories List

BLOCK NO.

△	REF.	PARTS NO.	PARTS NAME	REMARKS	QTY	SUFFIX	CLR
	A 1	VNN3832-311S	INST.BOOK	EN,DE,FR,NE	1		
		VNN3832-321S	INST.BOOK	ES,IT,SV,SU	1		
	A 2	VNN3832-T211S	INST MANUAL	EN,DE,FR	1		
		VNN3832-T451S	INST MANUAL	NE,ES,IT	1		
		VNN3832-T481S	INST MANUAL	SV,SU	1		
	A 3	BT-54008-1	W.CARD		1		
	A 4	VND3050-002	IDENTITY CARD		1		
	A 7	VKZ4027-002	PLUG NUT		1		
	A 8	VKH4871-001	MOUNT BOLT		1		
	A 9	VKZ4328-001	LOCK NUT		1		
	A 10	WNS5000Z	WASHER		1		
	A 11	FSKL4010-002	HOOK		2		
	A 12	QHX5080-001	WIRE CLAMP		1		
	A 14	VKZ4777-001	MINI SCREW	THEFT PREVENTIO	1		
	A 15	FSYA4001-001	SHEET	THEFT PREVENTIO	1		
	A 16	FSJB3001-00A	HARD CASE		1		
	A 17	FSKM2004-001	MOUNTING SLEEVE		1		
	A 19	FSJD2019-002	TRIM PLATE		1		
	A 20	VMP3291-003	ISO SP CORD		1		
	A 21	VMP3292-103	ISO POWER CORD		1		
	A 22	QAL0075-001	REMOCON	KD-SX838R ONLY	1		
	A 23	RO3UPTT-2STS	BATTERY	KD-SX838R ONLY	2		
	KIT 1	KDGS911K-SCREW1	SCREW PARTS KIT	A7-A12	1		
	KIT 2	KDGS727J-SCREW2	SCREW PARTS KIT	A14,A15	1		

<<MEMO>>


KD-SX838R
KD-S737R/KD-S707R

JVC

VICTOR COMPANY OF JAPAN, LIMITED

MOBILE ELECTRONICS DIVISION, 10-1, Chome, Ohwatari-machi, maebashi-city, Japan

(No.49453)

 Printed in Japan
9802(O)